



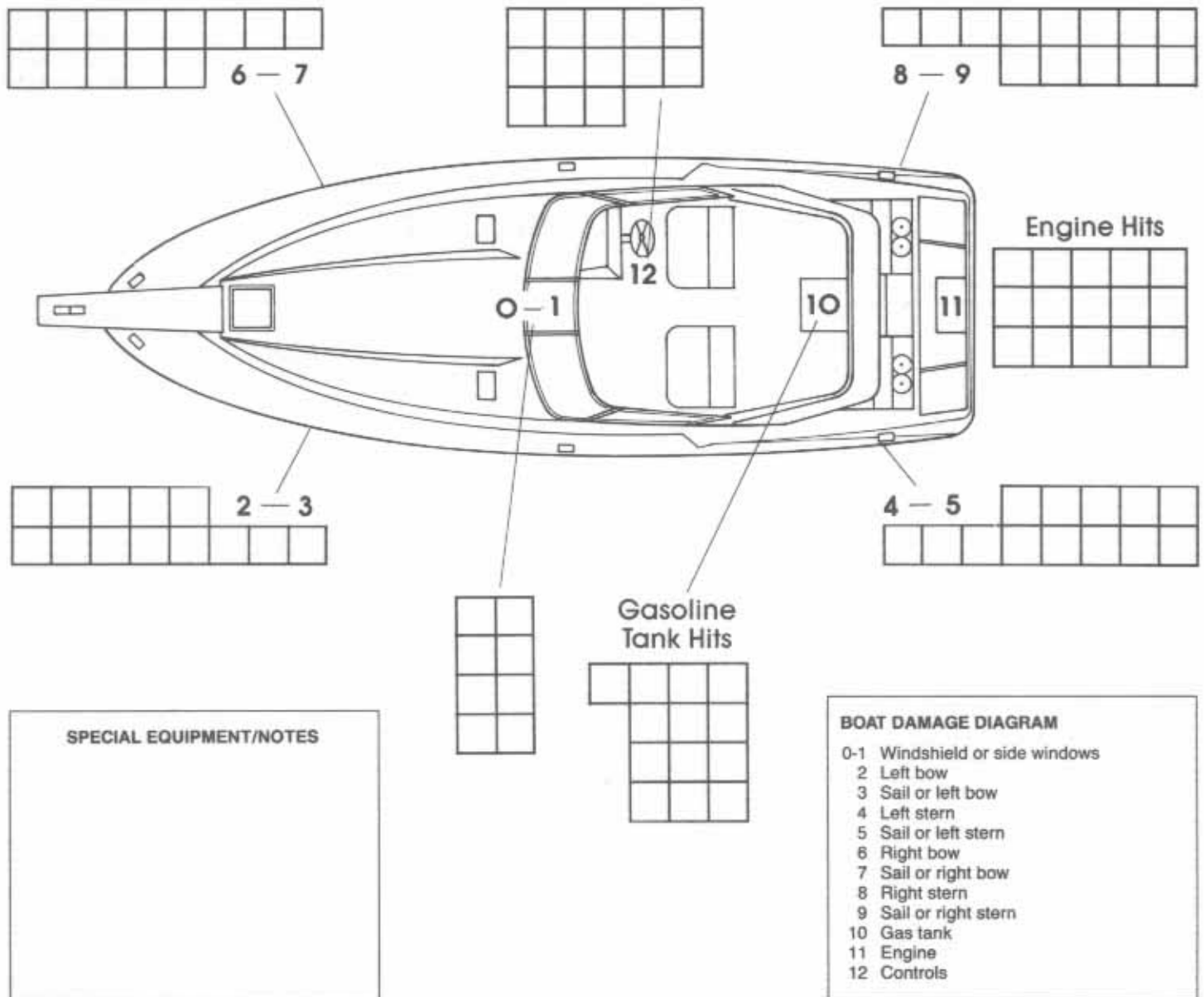
Glassron Special

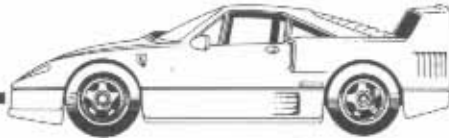
Owner: _____

Maximum Speed: _____ Braking: _____

Acceleration: _____ Protection Rating: _____

Handling: _____





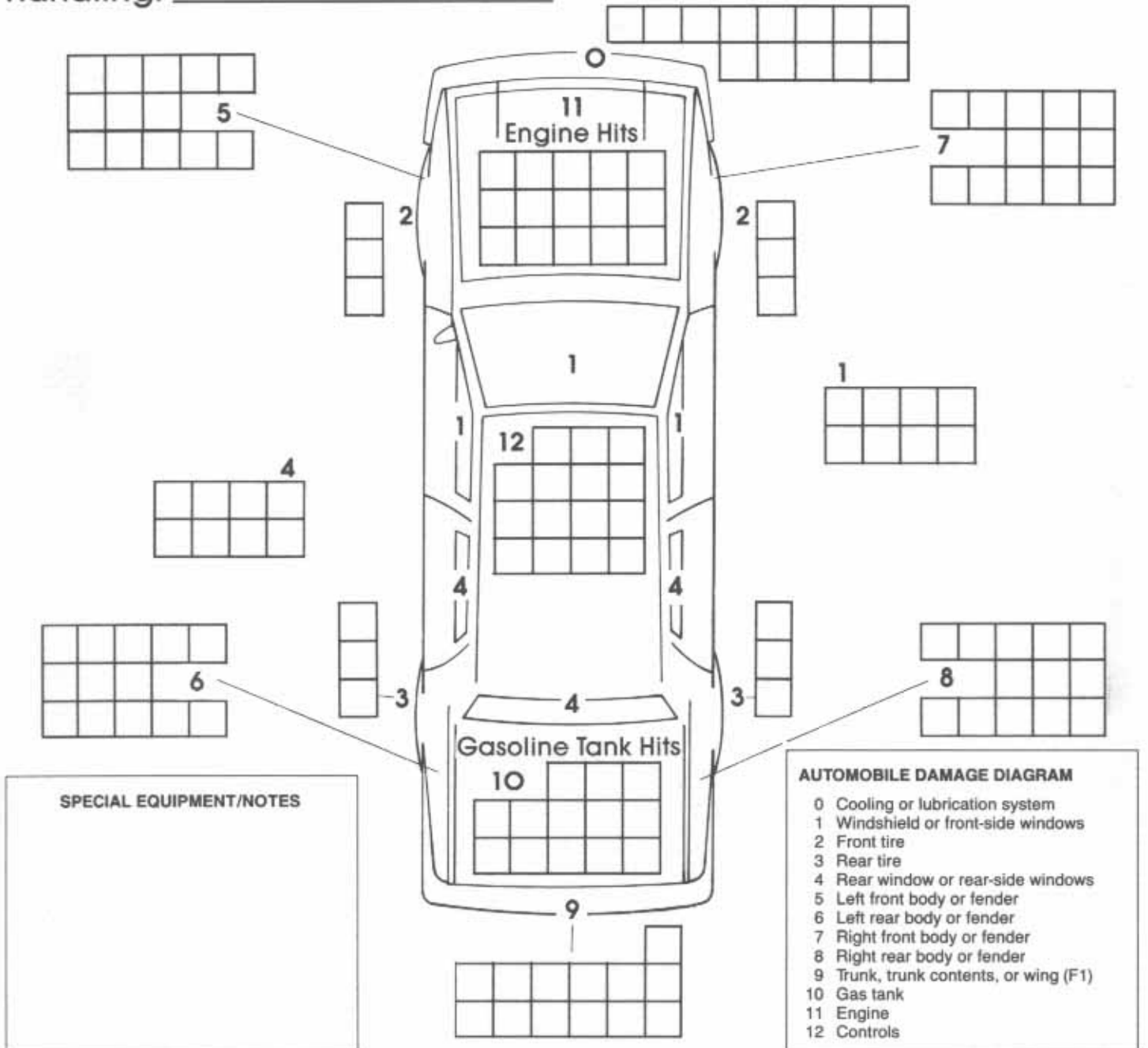
Ferrari F40

Owner: _____

Maximum Speed: _____ Braking: _____

Acceleration: _____ Protection Rating: _____

Handling: _____



SPECIAL EQUIPMENT/NOTES

- AUTOMOBILE DAMAGE DIAGRAM**
- 0 Cooling or lubrication system
 - 1 Windshield or front-side windows
 - 2 Front tire
 - 3 Rear tire
 - 4 Rear window or rear-side windows
 - 5 Left front body or fender
 - 6 Left rear body or fender
 - 7 Right front body or fender
 - 8 Right rear body or fender
 - 9 Trunk, trunk contents, or wing (F1)
 - 10 Gas tank
 - 11 Engine
 - 12 Controls



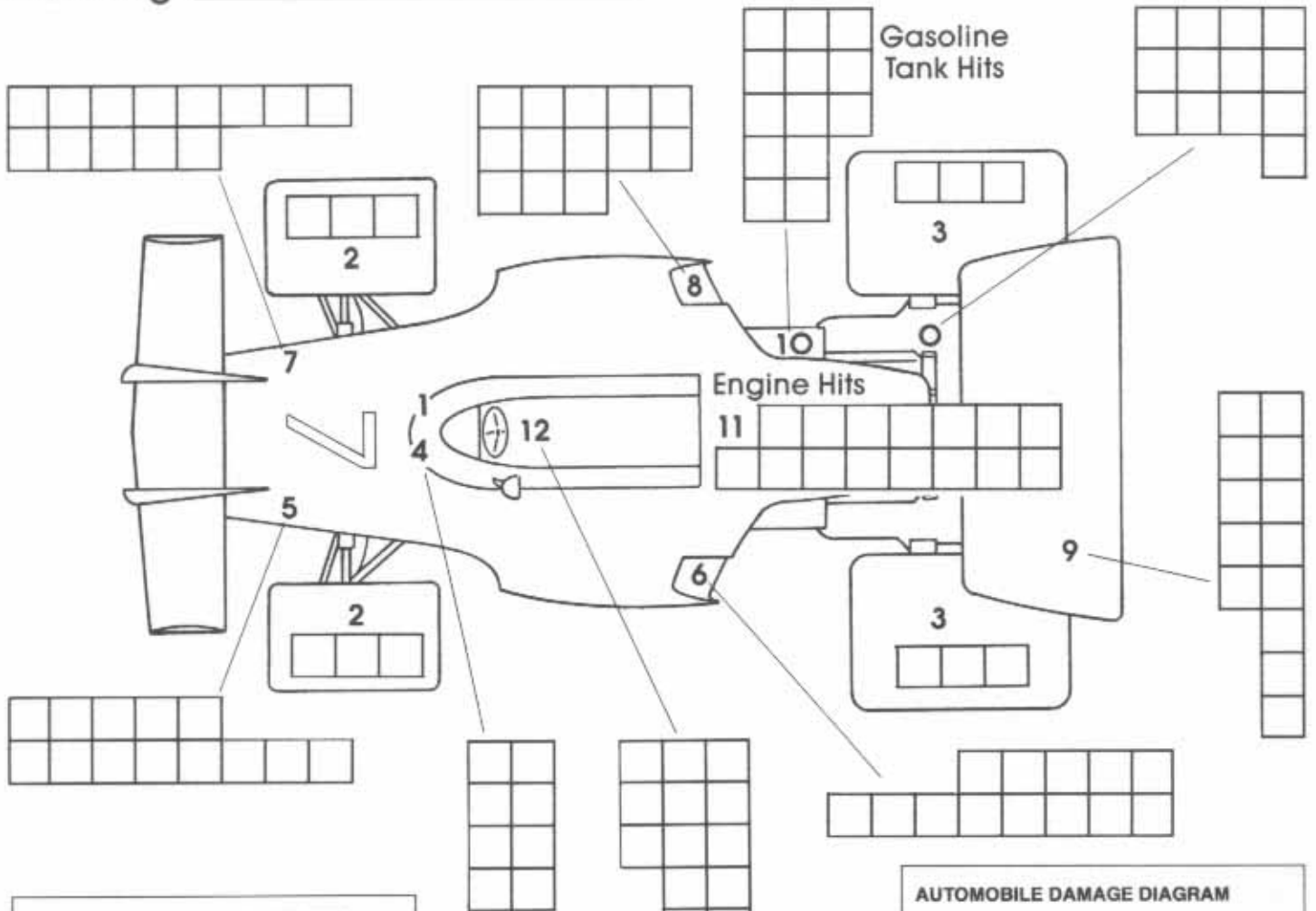
Walters-Mitsu Formula 1

Owner: _____

Maximum Speed: _____ Braking: _____

Acceleration: _____ Protection Rating: _____

Handling: _____



Gasoline Tank Hits

Engine Hits

SPECIAL EQUIPMENT/NOTES

AUTOMOBILE DAMAGE DIAGRAM

- 0 Cooling or lubrication system
- 1 Windshield or front-side windows
- 2 Front tire
- 3 Rear tire
- 4 Rear window or rear-side windows
- 5 Left front body or fender
- 6 Left rear body or fender
- 7 Right front body or fender
- 8 Right rear body or fender
- 9 Trunk, trunk contents, or wing (F1)
- 10 Gas tank
- 11 Engine
- 12 Controls

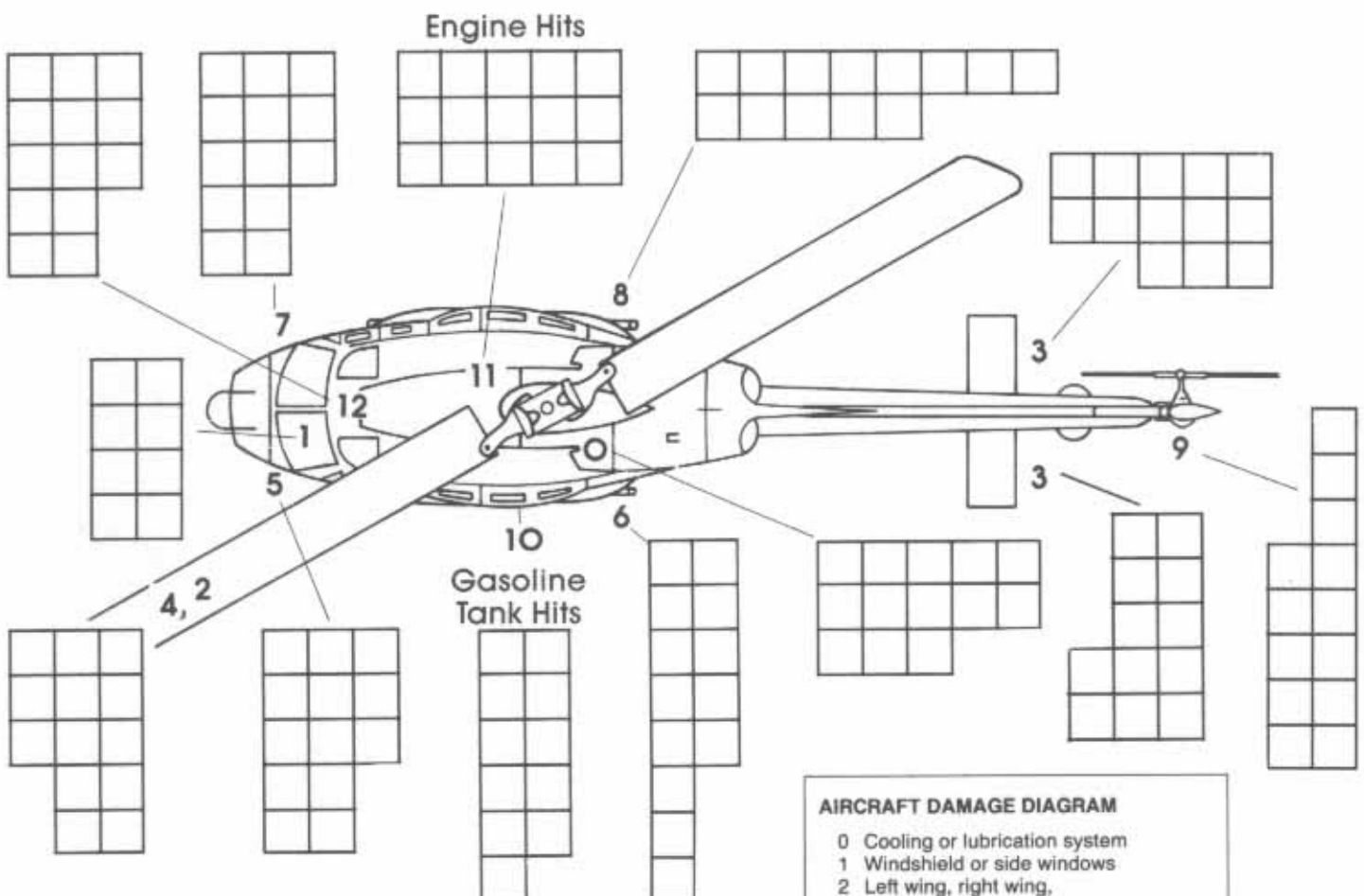


Bell Jetranger

Owner: _____

Maximum Speed: _____ Ceiling: _____

Stall Speed: _____



SPECIAL EQUIPMENT/NOTES

- AIRCRAFT DAMAGE DIAGRAM**
- 0 Cooling or lubrication system
 - 1 Windshield or side windows
 - 2 Left wing, right wing, or rotor(helicopters) *
 - 3 Left tailplane or right tailplane
 - 4 Propellor, engine housing (jets), or rotor (helicopters)
 - 5 Left front body
 - 6 Left rear body
 - 7 Right front body
 - 8 Right rear body
 - 9 Tail or tail-rotor (helicopters)
 - 10 Gas tank
 - 11 Engine
 - 12 Controls
- * When all wing spaces are gone, or on a critical hit to the wings, or when the landing gear are extended, this can be considered a landing gear hit.



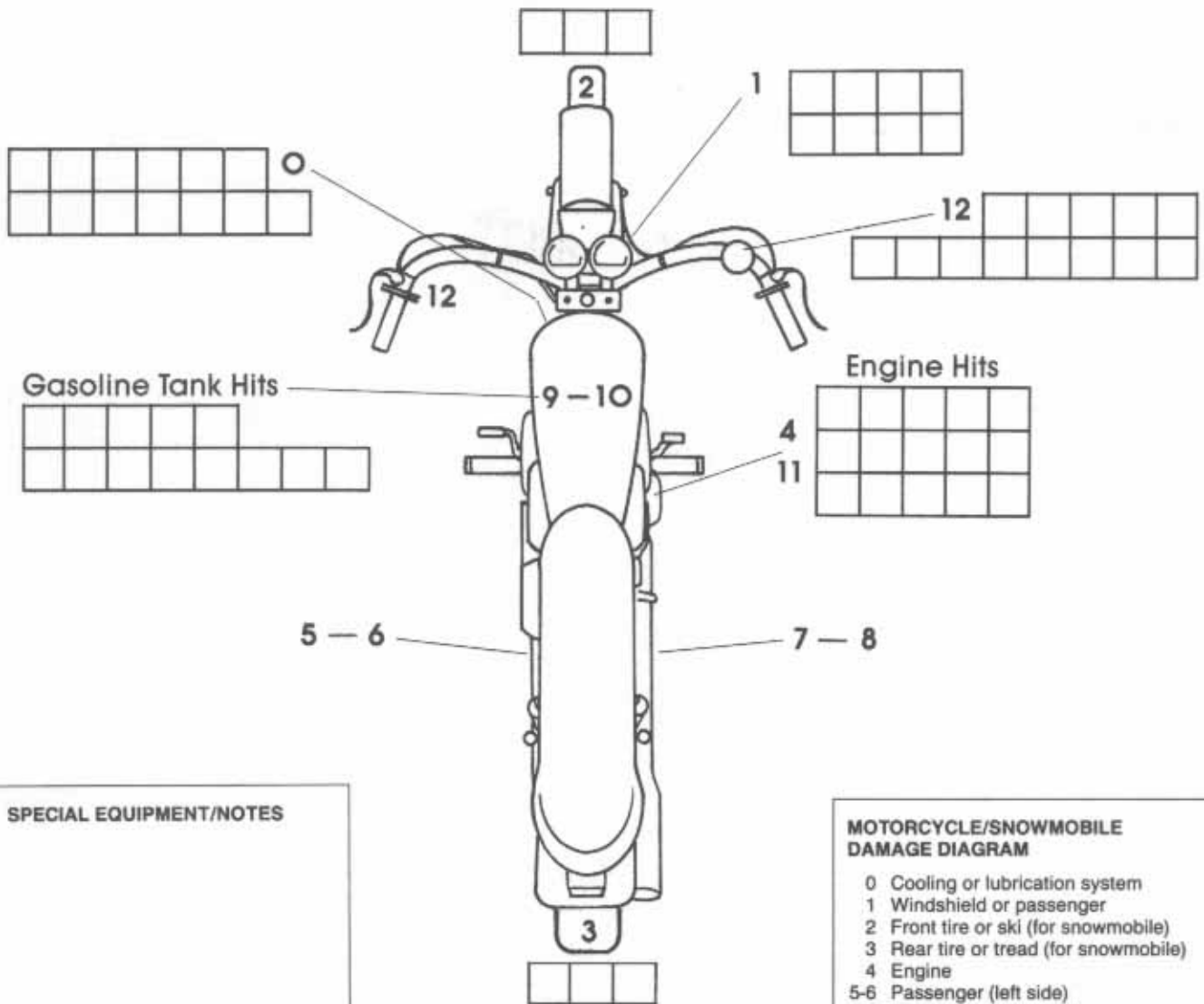
Harley-Davidson Electra Glide

Owner: _____

Maximum Speed: _____ Braking: _____

Acceleration: _____ Protection Rating: _____

Handling: _____



SPECIAL EQUIPMENT/NOTES

MOTORCYCLE/SNOWMOBILE DAMAGE DIAGRAM

- 0 Cooling or lubrication system
- 1 Windshield or passenger
- 2 Front tire or ski (for snowmobile)
- 3 Rear tire or tread (for snowmobile)
- 4 Engine
- 5-6 Passenger (left side)
- 7-8 Passenger (right side)
- 9-10 Gas tank
- 11 Engine
- 12 Controls

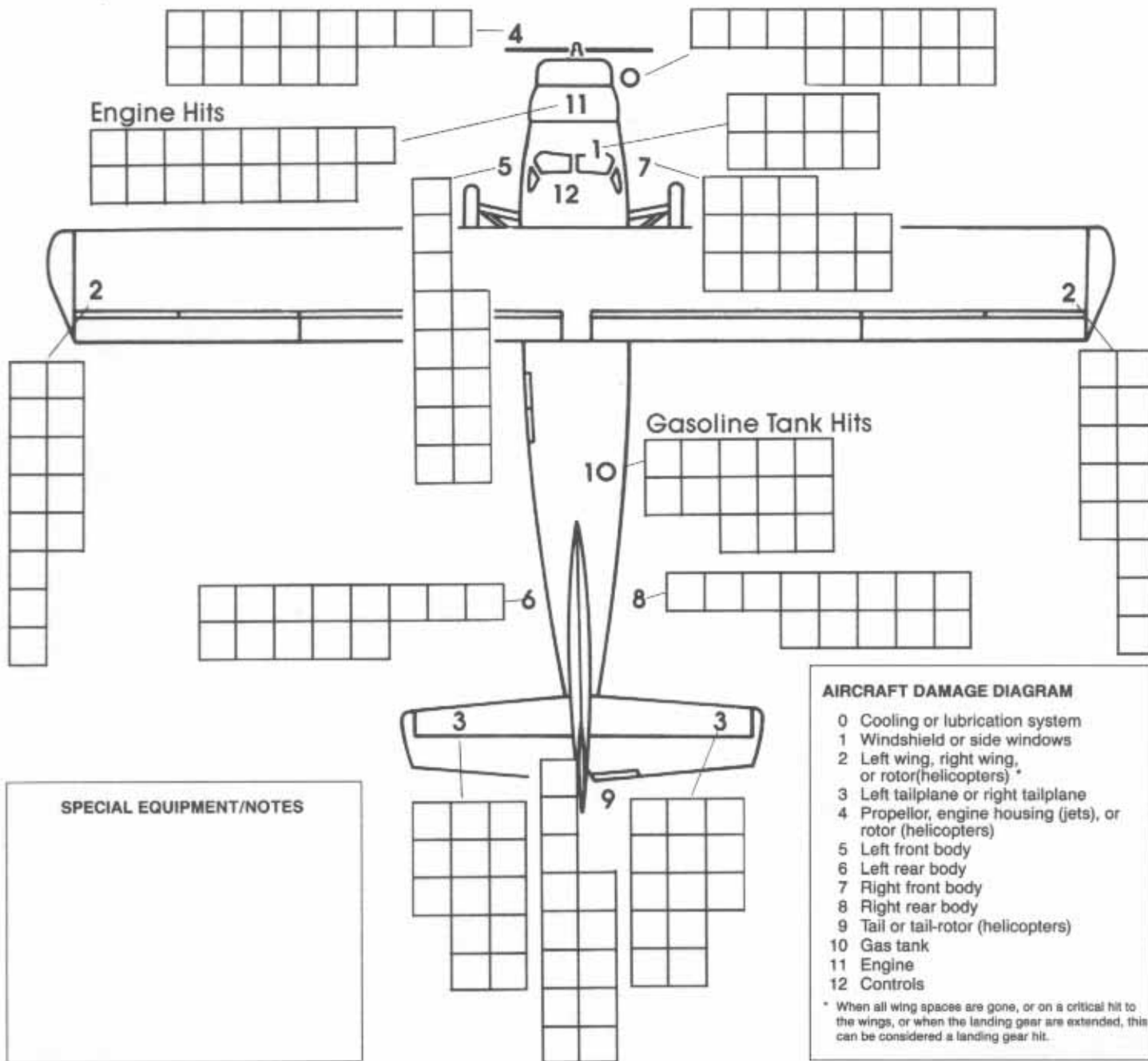


Cessna Model 208 Caravan

Owner: _____

Maximum Speed: _____ Ceiling: _____

Stall Speed: _____



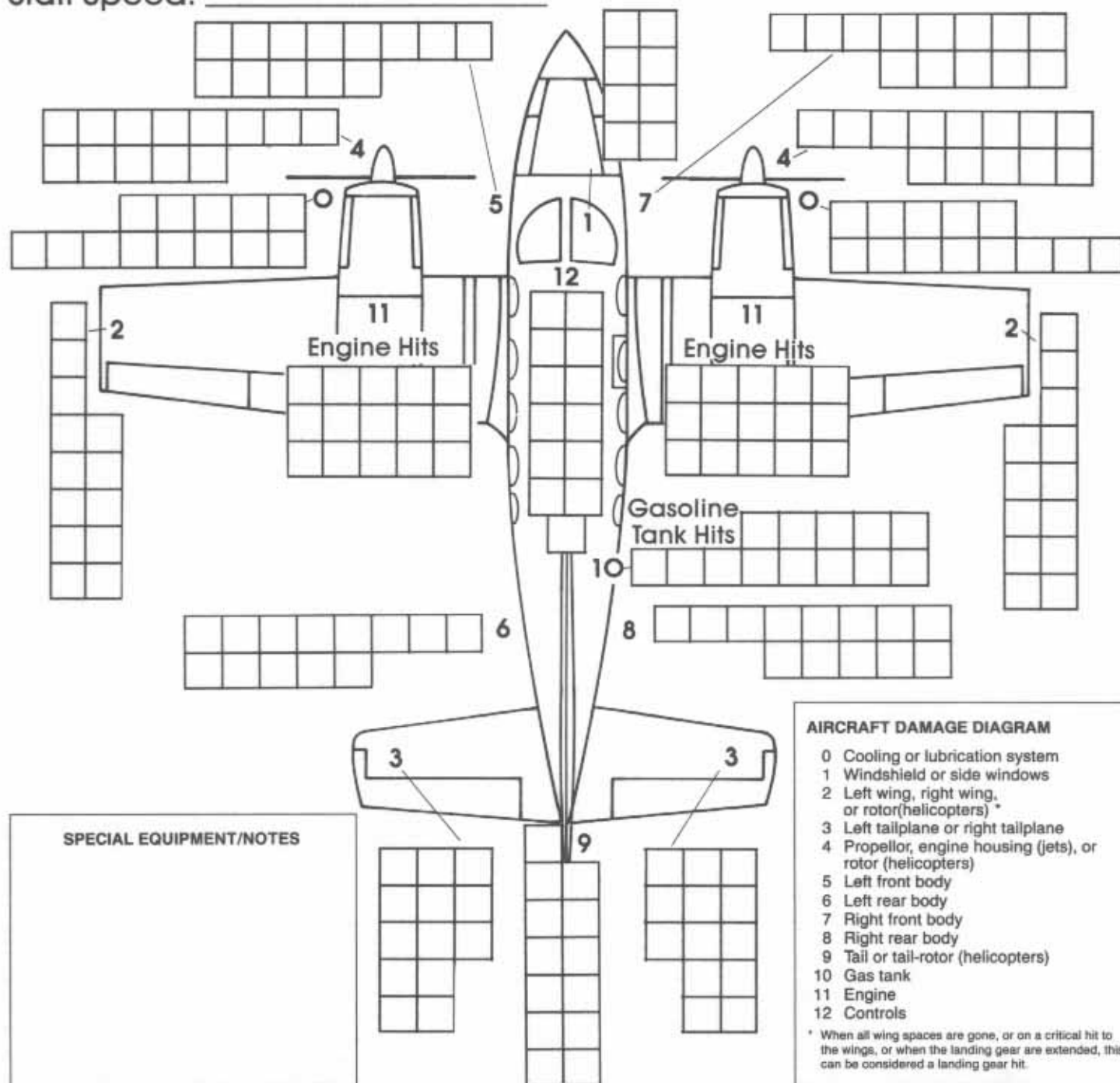


Piper Cheyenne 400

Owner: _____

Maximum Speed: _____ Ceiling: _____

Stall Speed: _____



SPECIAL EQUIPMENT/NOTES

AIRCRAFT DAMAGE DIAGRAM

- 0 Cooling or lubrication system
- 1 Windshield or side windows
- 2 Left wing, right wing, or rotor (helicopters) *
- 3 Left tailplane or right tailplane
- 4 Propellor, engine housing (jets), or rotor (helicopters)
- 5 Left front body
- 6 Left rear body
- 7 Right front body
- 8 Right rear body
- 9 Tail or tail-rotor (helicopters)
- 10 Gas tank
- 11 Engine
- 12 Controls

* When all wing spaces are gone, or on a critical hit to the wings, or when the landing gear are extended, this can be considered a landing gear hit.



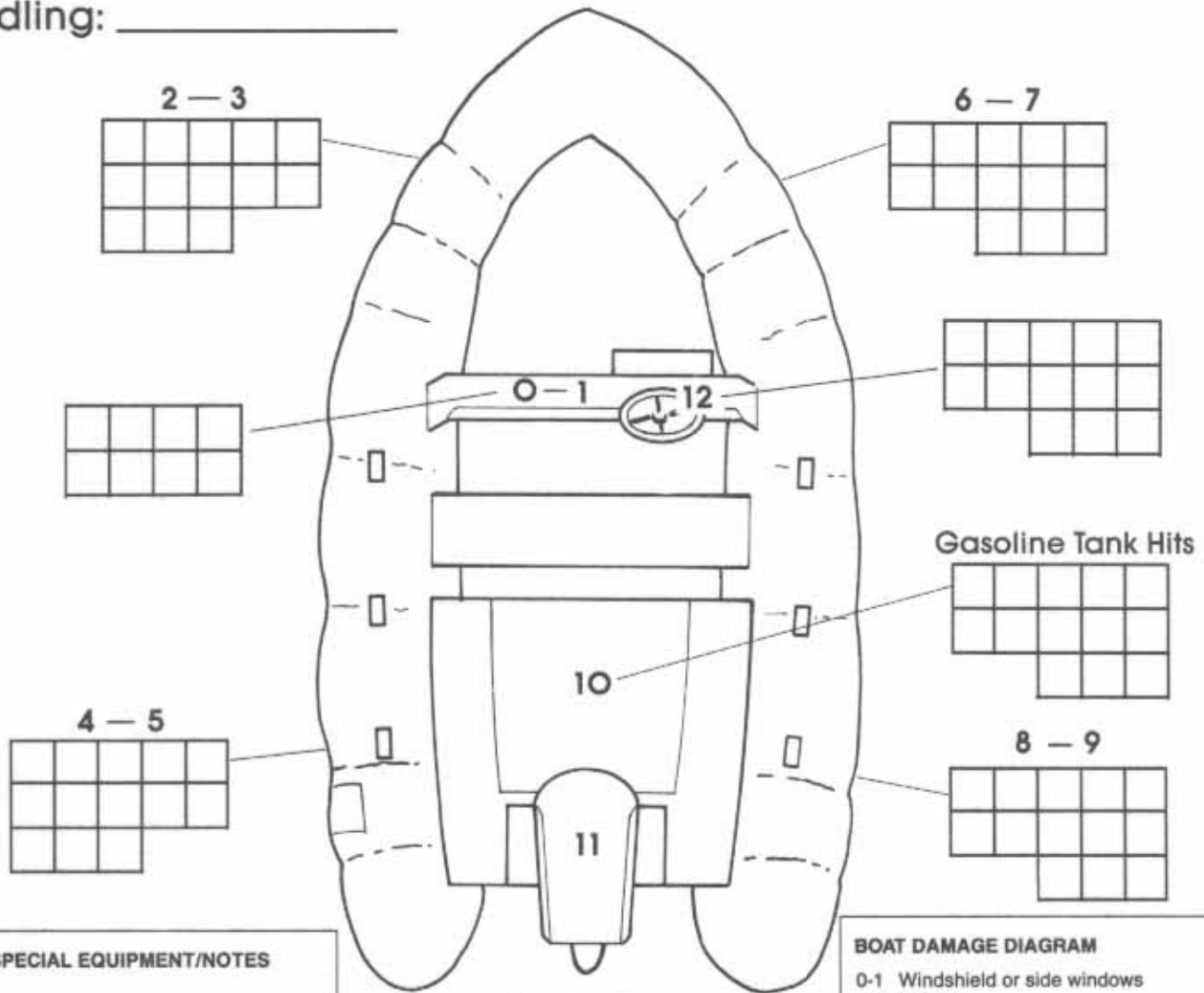
Airboat Powercruise

Owner: _____

Maximum Speed: _____ Braking: _____

Acceleration: _____ Protection Rating: _____

Handling: _____



SPECIAL EQUIPMENT/NOTES

- BOAT DAMAGE DIAGRAM**
- 0-1 Windshield or side windows
 - 2 Left bow
 - 3 Sail or left bow
 - 4 Left stern
 - 5 Sail or left stern
 - 6 Right bow
 - 7 Sail or right bow
 - 8 Right stern
 - 9 Sail or right stern
 - 10 Gas tank
 - 11 Engine
 - 12 Controls