

STAR FLEET

SHIPS OF THE FOUR YEARS WAR - VOL ONE

BY NEALE DAVIDSON—BASED ON THE WORKS OF DANA KNUTSON AND MITCH O'CONNELL



STAR FLEET

SHIPS OF THE FOUR YEARS WAR—VOLUME ONE

SHIPS OF THE FOUR YEARS WAR—VOLUME ONE

THE "SHIPS OF THE FOUR YEARS WAR" IS A HARD FORMAT COMPILATION OF FEDERATION TECHNICAL ORDERS, ARTICLES, AND OTHER WORKS ISSUED BY STAR FLEET COMMAND FOR USE IN THEIR TRAINING PROGRAMS. THE ARTICLES SO PUBLISHED HEREIN ARE FOR FAMILIARIZATION PURPOSES AND ARE AVAILABLE TO TRAINEES, INSTRUCTORS, AND ENTHUSIASTS WITH APPROPRIATE SECURITY CLEARANCE.

ATTENTION: CERTAIN MATERIAL CONTAINED HEREIN IS CLASSIFIED AS SECURITY LEVEL TWO BY STAR FLEET COMMAND AND THE BUREAU OF INTELLIGENCE. UNAUTHORIZED USE OF SUCH MATERIAL IS PUNISHABLE BY COURT MARTIAL, IMPRISONMENT, OR OTHER MEASURES DEPENDING ON PLANETARY LAWS AS STIPULATED BY TREATY.

CHIEF EDITOR:

NEALE DAVIDSON, CIVILIAN ADVISOR, MASTERCOM
(WWW.PIXELSAGAS.COM)

MEMORY ALPHA AND STARFLEET MASTERCOM CATALOGING DATA:
UFP/SFD DTA RS:480374-I

COPYRIGHT 2006-2008 NEALE DAVIDSON

MATERIAL HEREIN BASED ON MATERIAL WITHIN:

STAR TREK BLUEPRINTS 1972 BALLANTINE BOOKS
STAR TREK TECHNICAL MANUAL 1975 BALLANTINE BOOKS
FEDERATION SHIP RECOGNITION MANUAL: 1983 FASA, INC.
FOUR YEARS WAR: 1983 FASA, INC.
GENERAL PLANS: DOLLOND CLASS 1991-1993 PATRICK LICHTY

THIS DOCUMENT HAS BEEN ESTABLISHED FOR INFORMATIONAL AND ENTERTAINMENT PURPOSES ONLY. NO INFRINGEMENT OF COPYRIGHT OR TRADEMARK IS INTENDED.

STARFLEET TECHNICAL ORDER

AUTHENTICATED STARDATE 7411.27

RS: 480374-1

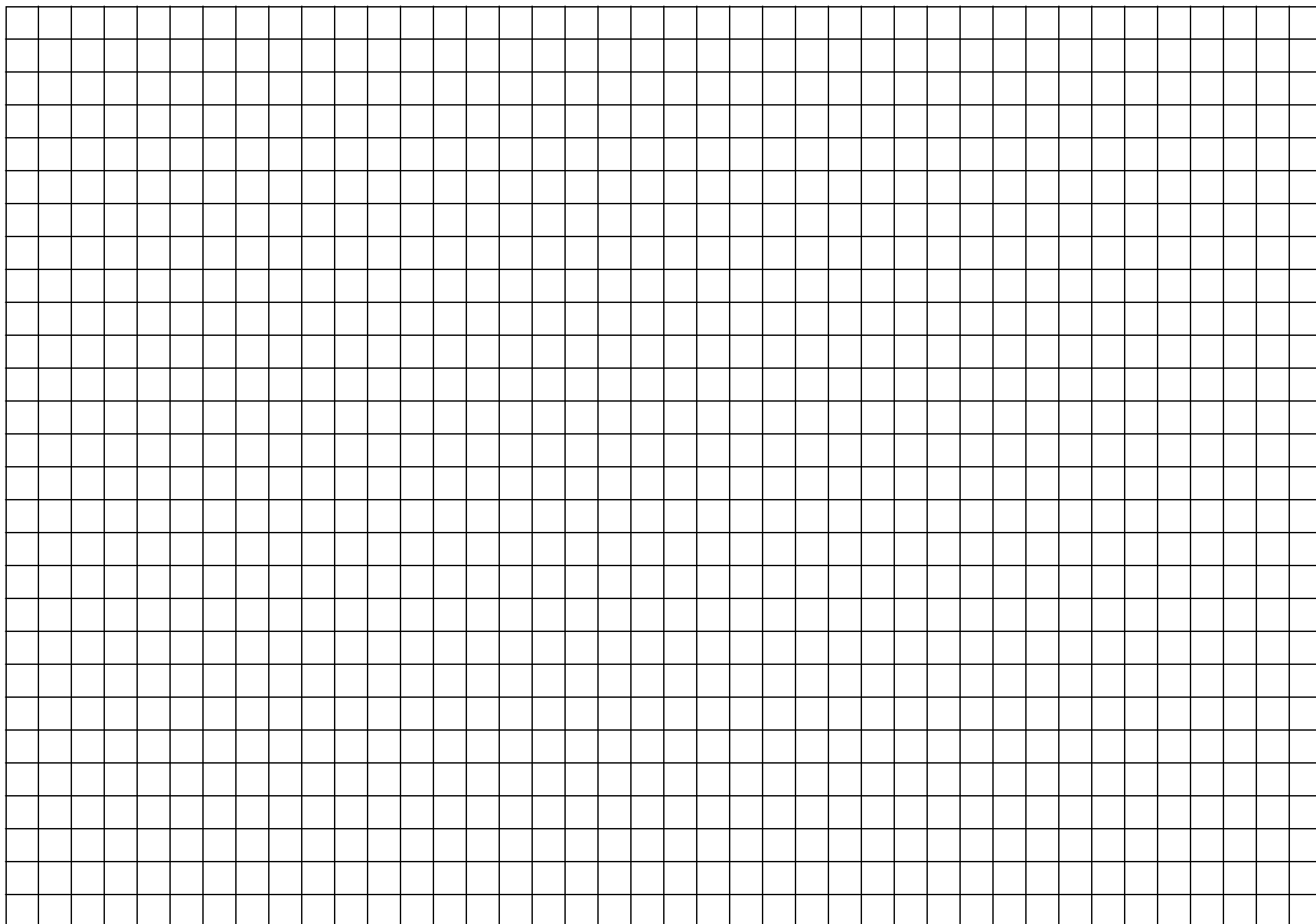
TO VOI:3

THIS PAGE INTENTIONALLY LEFT BLANK

RS: 480374-I
TO VOI:4

STARFLEET TECHNICAL ORDER

AUTHENTICATED STARDATE 7411.27



STAR FLEET

SHIPS OF THE STAR FLEET—FOUR YEARS WAR

FEDERATION CLASSIFIED

THIS MANUAL IS FOR THE SPECIFIC USE OF STAR FLEET ACADEMY CADETS AND CONTAINS SELECTED MATERIAL FROM THE DATA BANKS OF THE MASTER COMPUTER. UNDER THE LAWS OF THE UNITED FEDERATION OF PLANETS AND ITS MEMBER PLANETS: UNAUTHORIZED USE, OR REPRODUCTION, IN WHOLE OR IN PART, OF THESE TECHNICAL ORDERS OR ANY SUBSEQUENTLY ISSUED, WITHOUT THE WRITTEN PERMISSION OF STAR FLEET OR ITS PLANETARY AGENTS IS STRICTLY PROHIBITED.

TRAINING COMMAND
STAR FLEET ACADEMY

OFFICIAL VERSION FOR CADETS FROM
UNITED NATIONS, EARTH, SOL SYSTEM

FEDERATION SCOUT

CANOPUS CLASS STARSHIPS

PARTICULARS:

DEADWEIGHT TONNAGE	104,500
STD. RANGE	6 YEARS AT L.Y.V.
MAX. SAFE CRUISING SPEED	W/F 5
EMERGENCY SPEED	W/F 7
STANDARD PHASERS	1 BANKS / 2 EACH
PHOTON TORPEDOES	NONE
LENGTH (OVERALL)	244M
BREADTH (OVERALL)	117M
HEIGHT (OVERALL)	61M
PRIMARY HULL DIAMETER	112M
PROPULSION UNIT LENGTH (OVERALL)	143M
PROPULSION UNIT BEAM (OVERALL)	15M

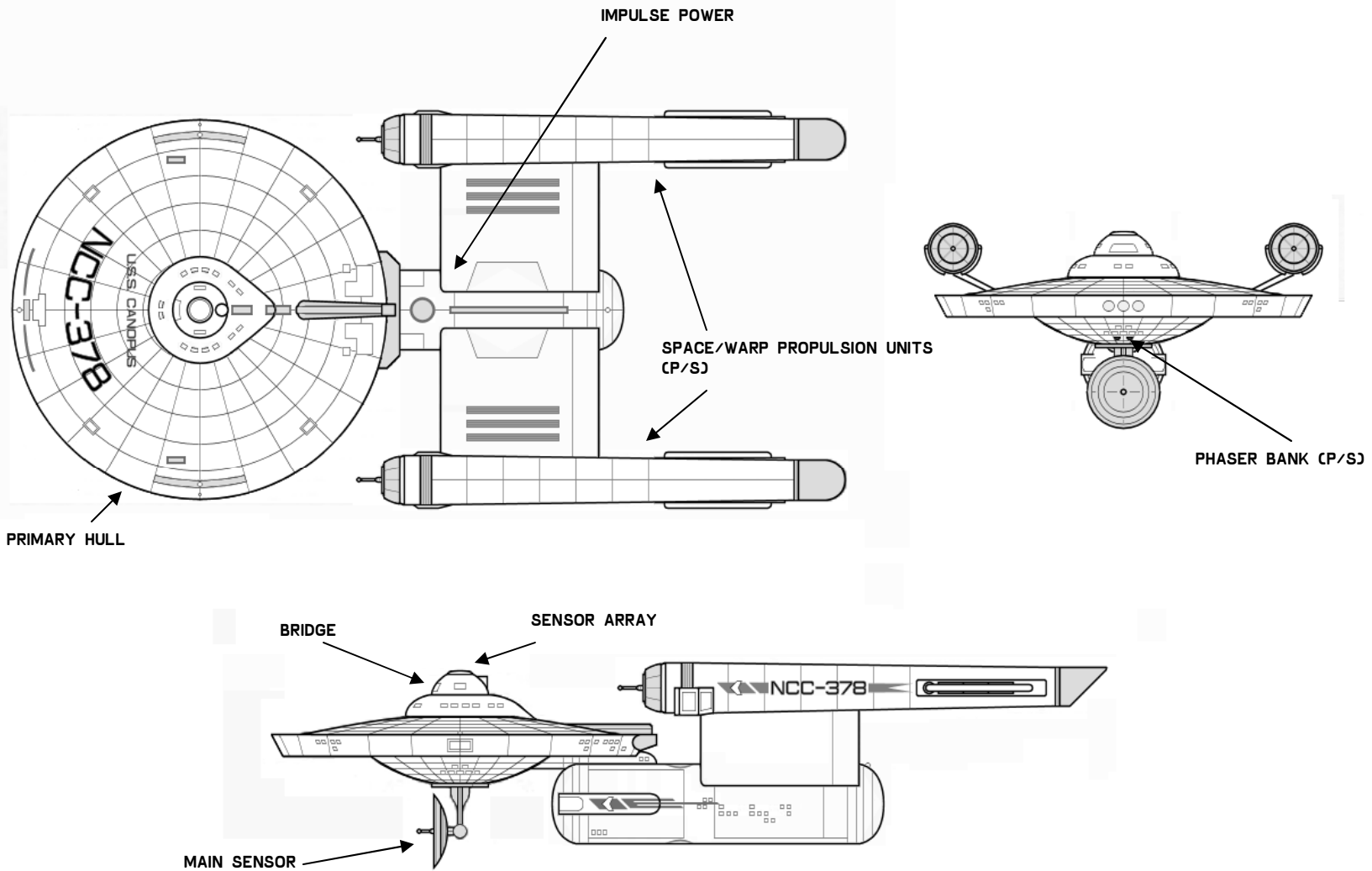
STANDARD SHIP'S COMPLEMENT:

OFFICERS (COMMAND)	20
CREW (ENSIGN GRADE)	180

THE FOLLOWING SHIPS OF THE *CANOPUS* CLASS WERE AUTHORIZED BY STAR FLEET APPROPRIATION OF STARDATE 1/9206:

NCC-378	USS CANOPUS*	NCC-389	USS CORSAIR
NCC-379	USS CASTOR	NCC-390	USS CATHAY
NCC-380	USS CAPELLA**	NCC-391	USS CENTAURUS**
NCC-381	USS CAPRICORNUS	NCC-392	USS CAMBRIA
NCC-382	USS CALEDONIA	NCC-393	USS CAMERONIAN
NCC-383	USS CASSIOPEIA**	NCC-394	USS CLEOPATRA
NCC-384	USS CALYPSO**	NCC-395	USS CIRCE**
NCC-385	USS CATALINA	NCC-396	USS CHALLENGER
NCC-386	USS CARIBOU	NCC-397	USS CAMBIRA
NCC-387	USS CLIPPER	NCC-398	USS CAVALIER
NCC-388	USS CORIOLANUS	NCC-399	USS CAMILLIA

*CLASS SHIP / ** LOST IN THE LINE OF DUTY



SEE BOOKLET OF GENERAL PLANS FOR DETAILS

FEDERATION SCOUT

HALE (UPRATED) CLASS STARSHIPS

PARTICULARS:

DEADWEIGHT TONNAGE	45,000
STD. RANGE	4 YEARS AT L.Y.V.
MAX. SAFE CRUISING SPEED	W/F 5
EMERGENCY SPEED	W/F 7
STANDARD PHASERS	1 BANKS / 2 EACH
PHOTON TORPEDOES	NONE
LENGTH (OVERALL)	159M
BREADTH (OVERALL)	114M
HEIGHT (OVERALL)	45M
PRIMARY HULL DIAMETER	112M
PROPULSION UNIT LENGTH (OVERALL)	143M
PROPULATION UNIT BEAM (OVERALL)	15M

STANDARD SHIP'S COMPLEMENT:

OFFICERS (COMMAND)	12
CREW (ENSIGN GRADE)	65

THE FOLLOWING SHIPS OF THE *HALE* CLASS WERE AUTHORIZED BY STAR FLEET APPROPRIATION OF STARDATE 1/7703:

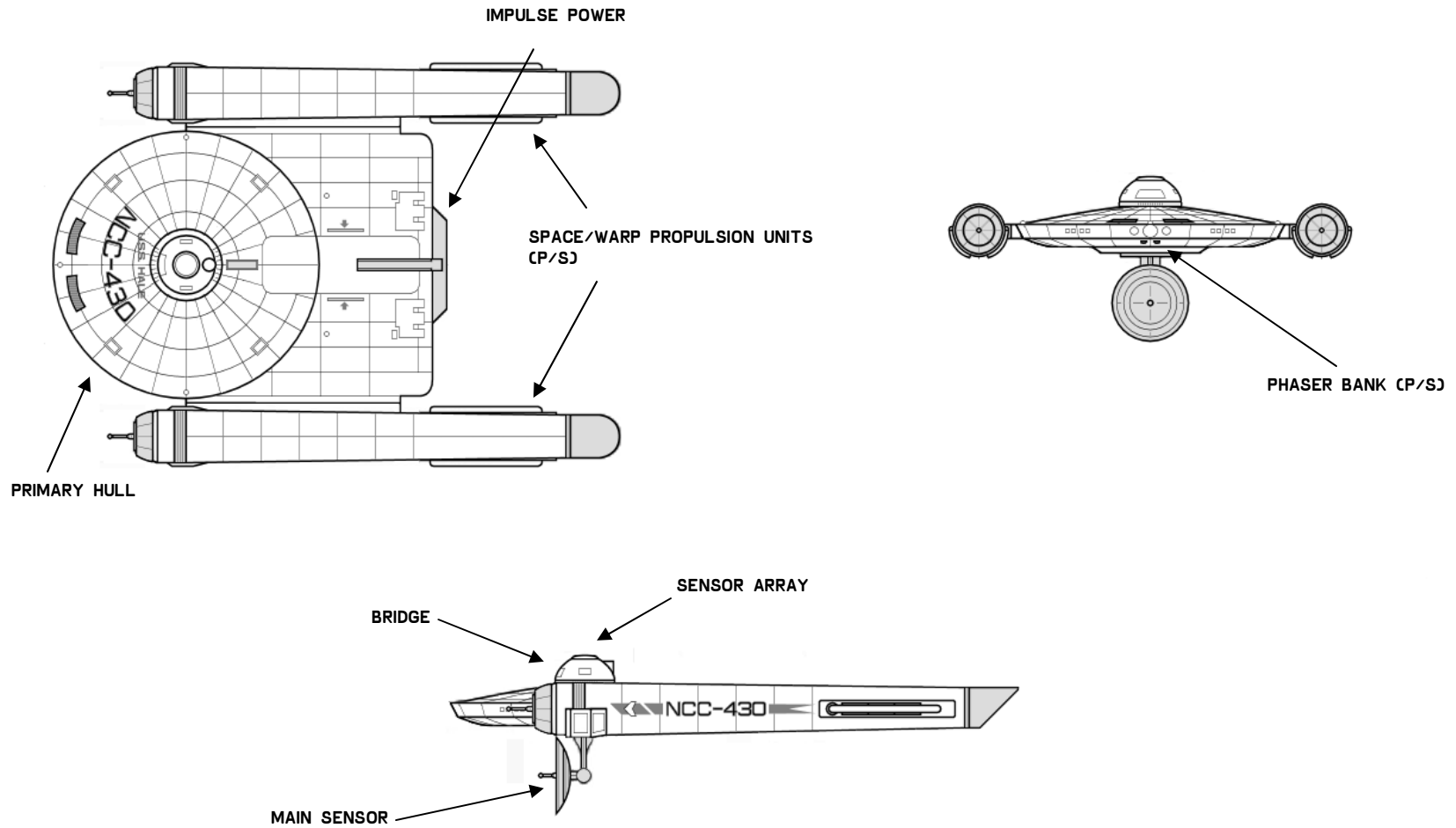
NCC-430	USS HALE*	NCC-447	USS SHULER**
NCC-431	USS DENVER**	NCC-448	USS WEAVER**
NCC-432	USS BACKUS	NCC-449	USS ABBOT
NCC-433	USS LOUISE	NCC-7200	USS KOTH
NCC-434	USS DE CANIO	NCC-7201	USS HOGEBOOM
NCC-435	USS WELLS	NCC-7202	USS TURNEY
NCC-436	USS JOHNSON	NCC-7203	USS HUNTER**
NCC-437	USS PACE	NCC-7204	USS EGGERT
NCC-438	USS WEBB**	NCC-7205	USS CALLEN
NCC-439	USS SHEIMER	NCC-7206	USS LASKY
NCC-440	USS FAHEY	NCC-7207	USS MURRAY
NCC-441	USS STEARNS	NCC-7208	USS BOBONICH
NCC-442	USS BEAVEN	NCC-7209	USS EVERHART
NCC-443	USS DODSON**	NCC-7210	USS HUFFMAN
NCC-444	USS GROESBACK	NCC-7211	USS MASSARO
NCC-445	USS SCHUR	NCC-7212	USS CRUSER
NCC-446	USS ELENIAK	NCC-7213	USS GEE LAW**

THE FOLLOWING SHIPS OF THE *HALE* CLASS WERE AUTHORIZED BY STAR FLEET APPROPRIATION OF STARDATE 1/7703:

NCC-7214	USS SARTAIN*	NCC-7249	USS LAGROSSA
NCC-7215	USS MULLEN	NCC-7250	USS GALLAGHER**
NCC-7216	USS SHIRK**	NCC-7251	USS ARCHA
NCC-7217	USS JAKUSZ	NCC-7252	USS GRODEL
NCC-7218	USS ROSENBERGER	NCC-7253	USS DRINKARD
NCC-7219	USS GUZON BAE	NCC-7254	USS ASHBY**
NCC-7220	USS BORTONE	NCC-7255	USS RECTOR
NCC-7221	USS CORIA	NCC-7256	USS HAWK**
NCC-7222	USS CLEMENT**	NCC-7257	USS MARIT
NCC-7223	USS WELCH	NCC-7258	USS HYDER
NCC-7224	USS SISKI	NCC-7259	USS GILES
NCC-7225	USS DUGAN	NCC-7260	USS FAVOR
NCC-7226	USS BASKAUSKAS	NCC-7261	USS SCHEER
NCC-7227	USS SLECKMAN	NCC-7262	USS MANSILLA
NCC-7228	USS REICHENBACH	NCC-7263	USS SHALLOW
NCC-7229	USS KIMMEL**	NCC-7264	USS KWON
NCC-7230	USS REISBERGER	NCC-7265	USS PENNER
NCC-7231	USS YATES**	NCC-7266	USS LUSTH
NCC-7232	USS CAREY**	NCC-7267	USS CALDERON
NCC-7233	USS WESTMAN	NCC-7268	USS VIRATA
NCC-7234	USS TORNELL	NCC-7269	USS BUI
NCC-7235	USS GALEOTALANZA	NCC-7270	USS BUNCH**
NCC-7236	USS SLABY	NCC-7271	USS DILORENZO
NCC-7237	USS BERRY	NCC-7272	USS STANBURY
NCC-7238	USS PALYOK	NCC-7273	USS POWERS**
NCC-7239	USS KENNEY**	NCC-7274	USS VARELA
NCC-7240	USS ORLINS	NCC-7275	USS MORALES
NCC-7241	USS NEELY**	NCC-7276	USS TOWSLEY
NCC-7242	USS CRITTENDEN	NCC-7277	USS SERGEANT
NCC-7243	USS GERAGHTY	NCC-7278	USS HERZOG
NCC-7244	USS CUSACK**	NCC-7279	USS HUGHES-WOLF
NCC-7245	USS DEITZ	NCC-7280	USS BELLANDE
NCC-7246	USS CLOUD LEE	NCC-7281	USS ZERNOW
NCC-7247	USS RAHMAN	NCC-7282	USS KANEGAI
NCC-7248	USS LIBBY		

IN ADDITION, 28 VESSELS OF THE *HALE* CLASS WERE APPROPRIATED FOR PLANETARY GOVERNMENTS OF FEDERATION MEMBER PLANETS IN NON STARFLEET CAPACITY.

*CLASS SHIP / ** LOST IN THE LINE OF DUTY



SEE BOOKLET OF GENERAL PLANS FOR DETAILS

FEDERATION DESTROYER

MARKLIN CLASS STARSHIPS

PARTICULARS:

DEADWEIGHT TONNAGE	102,500T
STD. RANGE	9 YEARS AT L.Y.V.
MAX. SAFE CRUISING SPEED	W/F 6
EMERGENCY SPEED	W/F 8
MAIN PHASERS	3 BANKS / 2 EACH
PHOTON TORPEDOES	2 LAUNCHERS
LENGTH (OVERALL)	238M
BREADTH (OVERALL)	121M
HEIGHT (OVERALL)	64M
PRIMARY HULL DIAMETER	N/A
PROPULSION UNIT LENGTH (OVERALL)	154M
PROPULSION UNIT DIAMETER (OVERALL)	17M

STANDARD SHIP'S COMPLEMENT:

OFFICERS (COMMAND)	20
CREW (ENSIGN GRADE)	180

THE FOLLOWING SHIPS OF THE *MARKLIN* CLASS WERE AUTHORIZED BY STAR FLEET APPROPRIATION OF STARDATE 1/8410:

NCC-480	USS MARKLIN*	NCC-490	USS PERICLES**
NCC-481	USS ARTAXERXES	NCC-491	USS CLEISTHENES
NCC-482	USS TISSAPHERNES	NCC-492	USS XANTHIPPIUS
NCC-483	USS XENOPHON**	NCC-493	USS DAMON
NCC-484	USS CUNAXA**	NCC-494	USS ZENO
NCC-485	USS CLEARCHUS	NCC-495	USS ANAXAGORAS**
NCC-486	USS AGESILAUUS	NCC-496	USS PROTOGORAS
NCC-487	USS ANABASIS	NCC-497	USS THEMISTOCLES
NCC-488	USS AGESILAUUS**	NCC-498	USS CIMON**
NCC-489	USS HELLENICA	NCC-499	USS EPHIALTE'

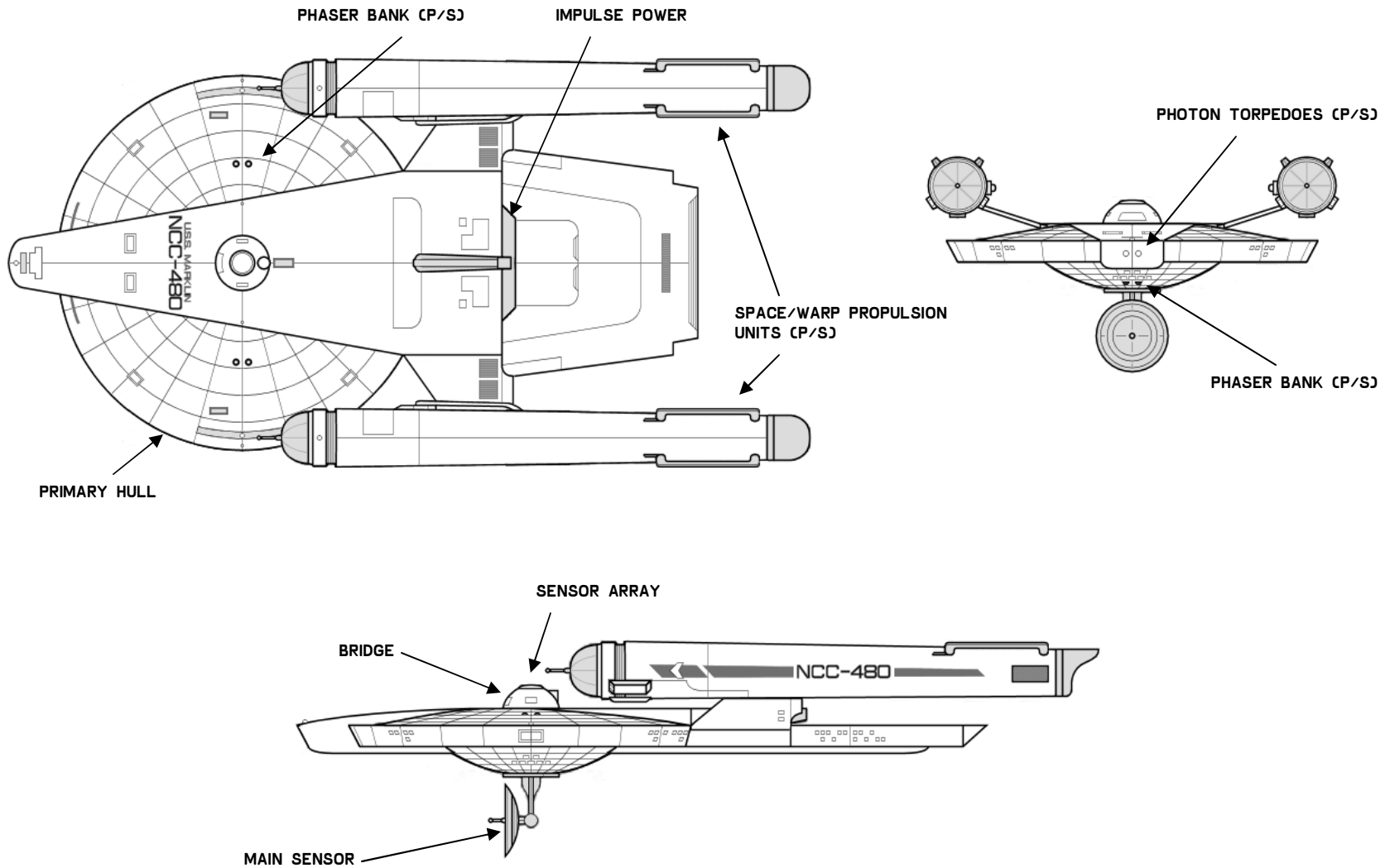
*CLASS SHIP / ** LOST IN THE LINE OF DUTY

STARFLEET TECHNICAL ORDER

AUTHENTICATED STARDATE 7411.27

RS: 480374-I

TO VO:II



SEE BOOKLET OF GENERAL PLANS FOR DETAILS

FEDERATION DESTROYER

SIVA CLASS STARSHIPS

PARTICULARS:

DEADWEIGHT TONNAGE	133,000MT
STD. RANGE	9 YEARS AT L.Y.V.
MAX. SAFE CRUISING SPEED	W/F 6
EMERGENCY SPEED	W/F 8
STANDARD PHASERS	3 BANKS / 2 EACH
PHOTON TORPEDOES	2 LAUNCHERS
LENGTH (OVERALL)	234M
BREADTH (OVERALL)	141M
HEIGHT (OVERALL)	49M
PRIMARY HULL DIAMETER	127M
PROPULSION UNIT LENGTH (OVERALL)	155M
PROPULSION UNIT BEAM (OVERALL)	13M

STANDARD SHIP'S COMPLEMENT:

OFFICERS (COMMAND)	20
CREW (ENSIGN GRADE)	180

THE FOLLOWING SHIPS OF THE SIVA CLASS WERE AUTHORIZED BY STAR FLEET
APPROPRIATION OF STARDATE 1/8703:

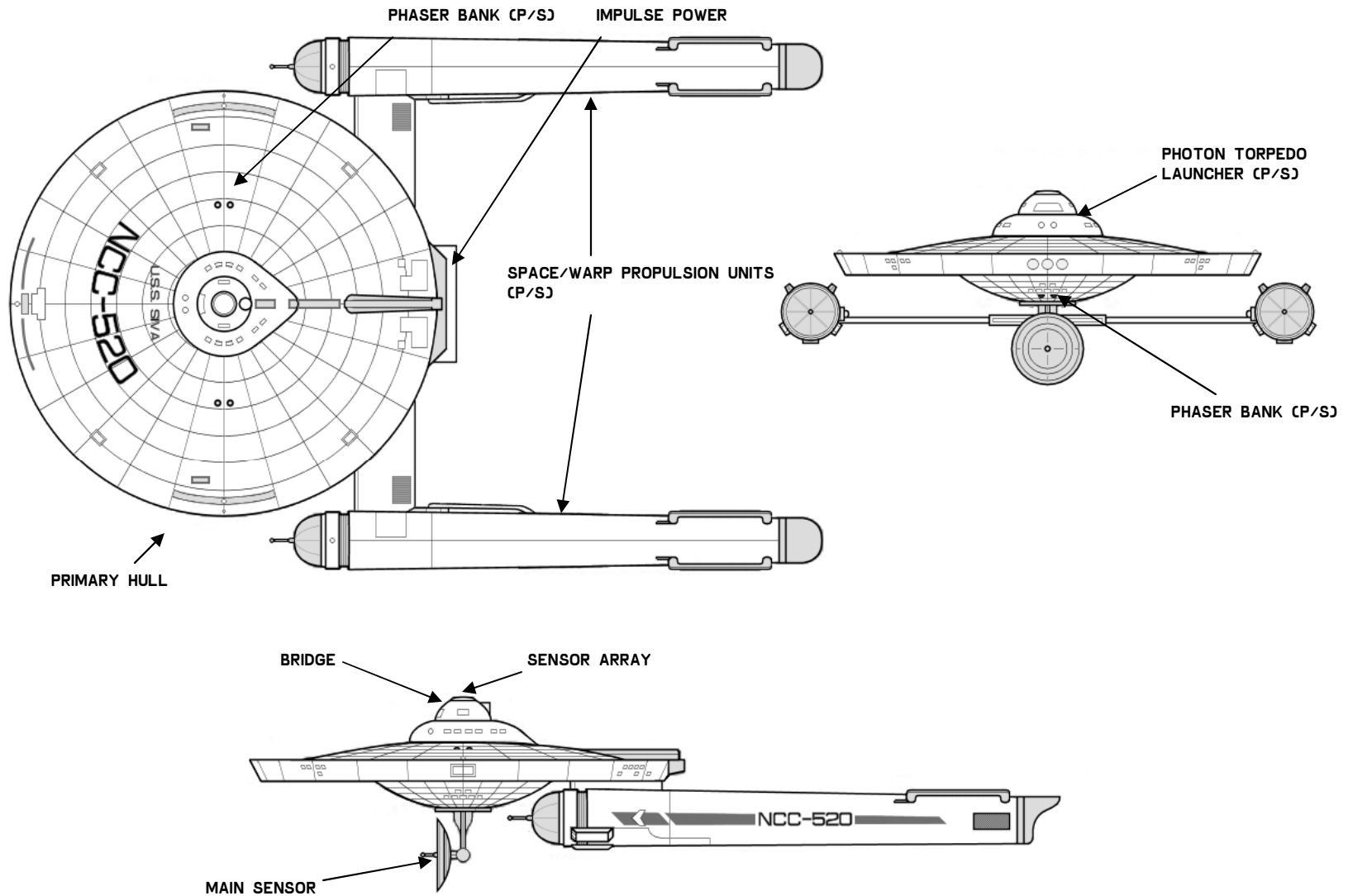
NCC-520	USS SIVA*	NCC-525	USS MARS**
NCC-521	USS LUCIFER	NCC-526	USS TYR
NCC-522	USS MOLOCK	NCC-527	USS JUGURTHA
NCC-523	USS HATHOR	NCC-528	USS IBLIS
NCC-524	USS ARES	NCC-529	USS LOKI

*CLASS SHIP / ** LOST IN THE LINE OF DUTY

STARFLEET TECHNICAL ORDER

AUTHENTICATED STARDATE 7411.27

RS: 480374-1
TO VO:13



SEE BOOKLET OF GENERAL PLANS FOR DETAILS

FEDERATION DESTROYER

APACHE CLASS STARSHIPS

PARTICULARS:

DEADWEIGHT TONNAGE	105,000
STD. RANGE	6 YEARS AT L.Y.V.
MAX. SAFE CRUISING SPEED	W/F 5
EMERGENCY SPEED	W/F 7
STANDARD PHASERS	3 BANKS / 2 EACH
PHOTON TORPEDOES	2 LAUNCHERS
LENGTH (OVERALL)	244M
BREADTH (OVERALL)	117M
HEIGHT (OVERALL)	61M
PRIMARY HULL DIAMETER	112M
PROPULSION UNIT LENGTH (OVERALL)	143M
PROPULSION UNIT BEAM (OVERALL)	15M

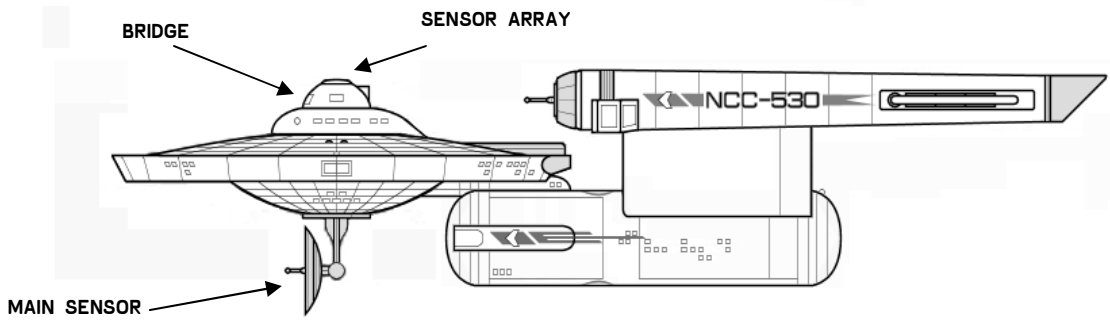
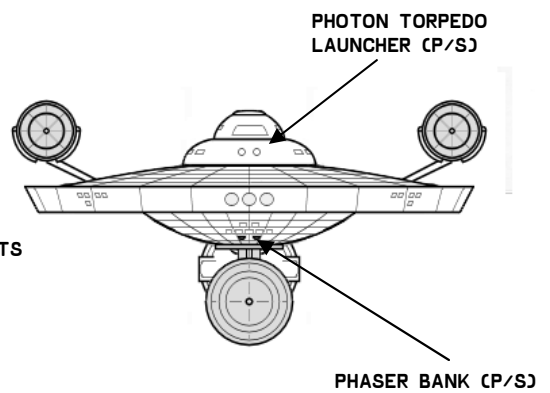
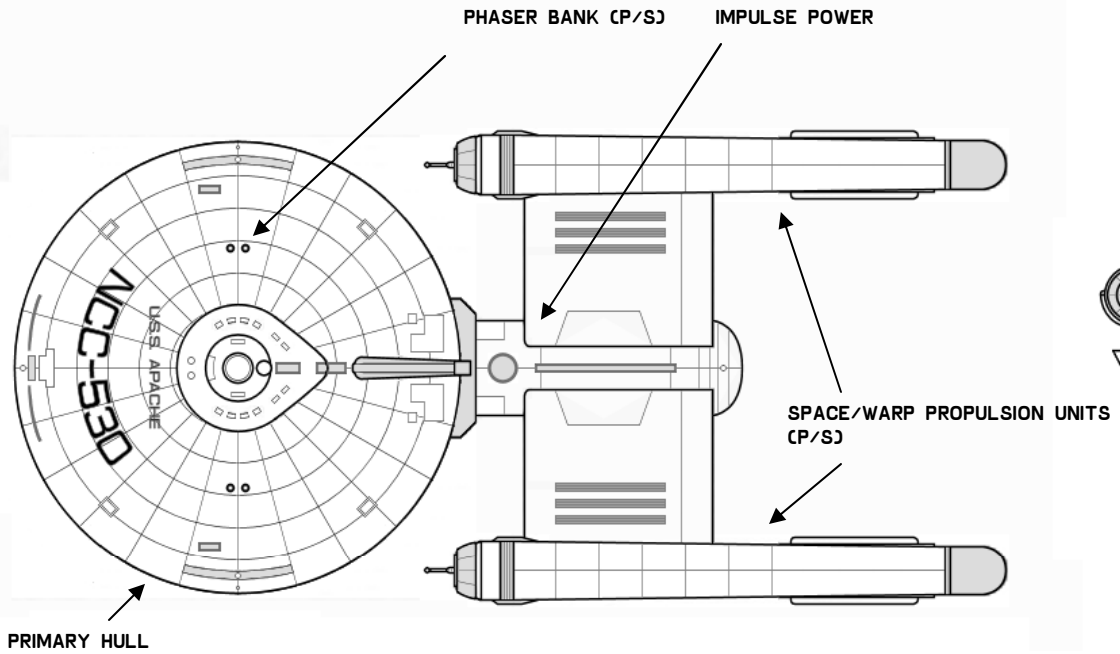
STANDARD SHIP'S COMPLEMENT:

OFFICERS (COMMAND)	20
CREW (ENSIGN GRADE)	180

THE FOLLOWING SHIPS OF THE APACHE CLASS WERE AUTHORIZED BY STAR FLEET APPROPRIATION OF STARDATE 1/8901:

NCC-530	USS APACHE*	NCC-542	USS DRAKE
NCC-531	USS ALVA	NCC-543	USS APPOLYON**
NCC-532	USS COCHISE**	NCC-544	USS SAMSON
NCC-533	USS PONTIAC	NCC-545	USS PERSEUS
NCC-534	USS NEY**	NCC-546	USS AL MAHDI
NCC-535	USS EL CID	NCC-547	USS AJAX
NCC-536	USS TARTAR	NCC-548	USS ABU BEKR
NCC-537	USS GERONIMO	NCC-549	USS IVAN**
NCC-538	USS CORTEZ**	NCC-4321	USS ACHILLES
NCC-539	USS ALVARADO	NCC-4330	USS THESEUS
NCC-540	USS DE RUYTER**	NCC-4359	USS SCIPIO**
NCC-541	USS HEKTOR	NCC-4370	USS MARTEL
NCC-542	USS LYSANDER**	NCC-4390	USS CIMON

*CLASS SHIP / ** LOST IN THE LINE OF DUTY



SEE BOOKLET OF GENERAL PLANS FOR DETAILS

FEDERATION INTELLIGENCE SCOUT

HERMES CLASS STARSHIPS

PARTICULARS:

DEADWEIGHT TONNAGE	93,500T
STD. RANGE	9 YEARS AT L.Y.V.
MAX. SAFE CRUISING SPEED	W/F 6
EMERGENCY SPEED	W/F 8
MAIN PHASERS	1 BANKS / 2 EACH
PHOTON TORPEDOES	NONE
LENGTH (OVERALL)	242M
BREADTH (OVERALL)	127M
HEIGHT (OVERALL)	60M
PRIMARY HULL DIAMETER	127M
PROPULSION UNIT LENGTH (OVERALL)	154M
PROPULSION UNIT DIAMETER (OVERALL)	17M

STANDARD SHIP'S COMPLEMENT:

OFFICERS (COMMAND)	20
CREW (ENSIGN GRADE)	175

THE FOLLOWING SHIPS OF THE *HERMES* CLASS WERE AUTHORIZED BY STAR FLEET APPROPRIATION OF STARDATE 1/8510:

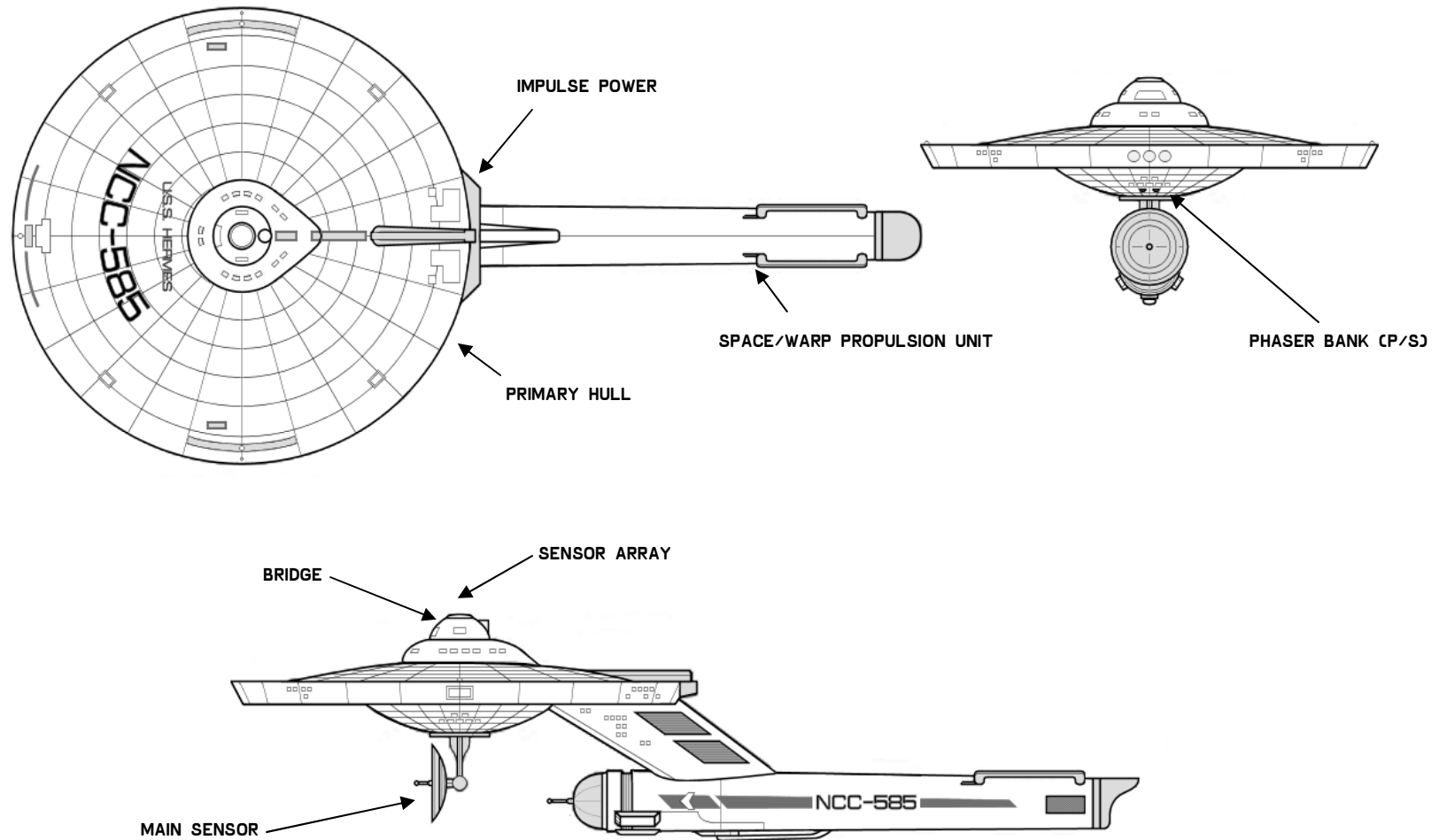
NCC-585	USS HERMES*	NCC-593	USS BATIDOR
NCC-586	USS ANUBIS	NCC-594	USS CODY
NCC-587	USS COLLINS	NCC-595	USS REVERE
NCC-588	USS AEOLUS	NCC-596	USS BOWIE
NCC-589	USS DIANA	NCC-597	USS SPAKER
NCC-590	USS QUINTILLUS	NCC-598	USS SACAJAWEA
NCC-591	USS BRIDGER	NCC-599	USS TONTI
NCC-592	USS CARSON**		

*CLASS SHIP / ** LOST IN THE LINE OF DUTY

STARFLEET TECHNICAL ORDER

AUTHENTICATED STARDATE 7411.27

RS: 480374-1
TO VO:17



SEE BOOKLET OF GENERAL PLANS FOR DETAILS

FEDERATION SCOUT

MONOCEROS CLASS STARSHIPS

PARTICULARS:

DEADWEIGHT TONNAGE	132,500MT
STD. RANGE	9 YEARS AT L.Y.V.
MAX. SAFE CRUISING SPEED	W/F 6
EMERGENCY SPEED	W/F 8
STANDARD PHASERS	1 BANKS / 2 EACH
PHOTON TORPEDOES	NONE
LENGTH (OVERALL)	234M
BREADTH (OVERALL)	141M
HEIGHT (OVERALL)	49M
PRIMARY HULL DIAMETER	127M
PROPULSION UNIT LENGTH (OVERALL)	154M
PROPULSION UNIT BEAM (OVERALL)	17M

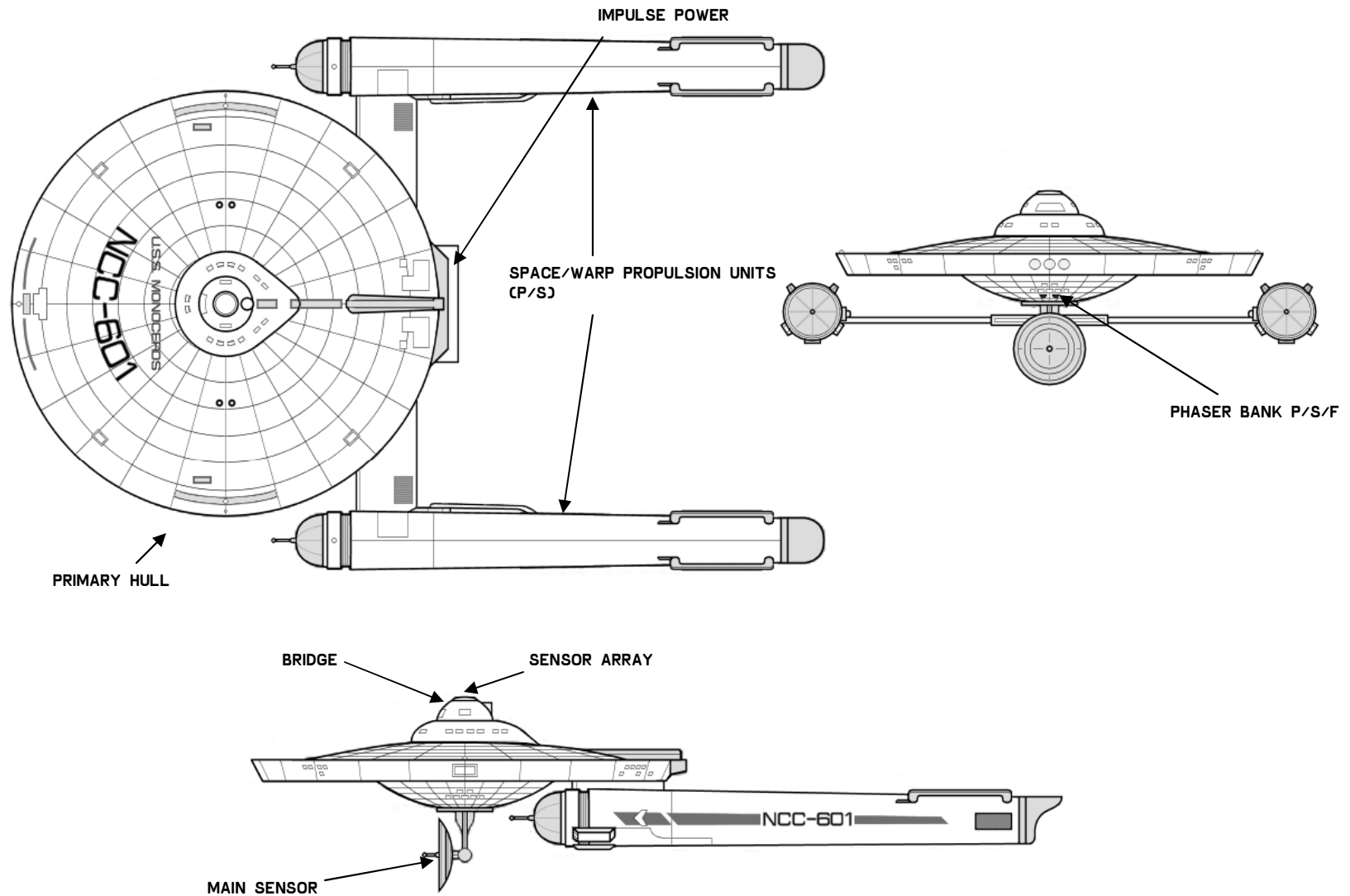
STANDARD SHIP'S COMPLEMENT:

OFFICERS (COMMAND)	20
CREW (ENSIGN GRADE)	175

THE FOLLOWING SHIPS OF THE *MONOCEROS* CLASS WERE AUTHORIZED BY STAR FLEET APPROPRIATION OF STARDATE 1/8906:

NCC-601	USS MONOCEROS*	NCC-609	USS URSA MAJOR
NCC-602	USS ARIES	NCC-610	USS LEPUS
NCC-603	USS EQUULUS	NCC-611	USS CANIS MAJOR
NCC-604	USS LUPUS	NCC-612	USS PEGASUS
NCC-605	USS TAURUS	NCC-613	USS VULPECULA
NCC-606	USS CAMELOPARDUS	NCC-614	USS LEO MINOR
NCC-607	USS LEO	NCC-615	USS CANIS MINOR
NCC-608	USS LYNX	NCC-616	USS URSA MINOR

*CLASS SHIP



SEE BOOKLET OF GENERAL PLANS FOR DETAILS

FEDERATION ADVANCED COURIER

CYGNUS CLASS STARSHIPS

PARTICULARS:

DEADWEIGHT TONNAGE	93,500T
STD. RANGE	9 YEARS AT L.Y.V.
MAX. SAFE CRUISING SPEED	W/F 6
EMERGENCY SPEED	W/F 8
MAIN PHASERS	1 BANKS / 2 EACH
PHOTON TORPEDOES	NONE
LENGTH (OVERALL)	242M
BREADTH (OVERALL)	127M
HEIGHT (OVERALL)	60M
PRIMARY HULL DIAMETER	127M
PROPULSION UNIT LENGTH (OVERALL)	154M
PROPULSION UNIT DIAMETER (OVERALL)	17M

STANDARD SHIP'S COMPLEMENT:

OFFICERS (COMMAND)	20
CREW (ENSIGN GRADE)	175

THE FOLLOWING SHIPS OF THE *CYGNUS* CLASS WERE AUTHORIZED BY STAR FLEET
APPROPRIATION OF STARDATE 1/9203:

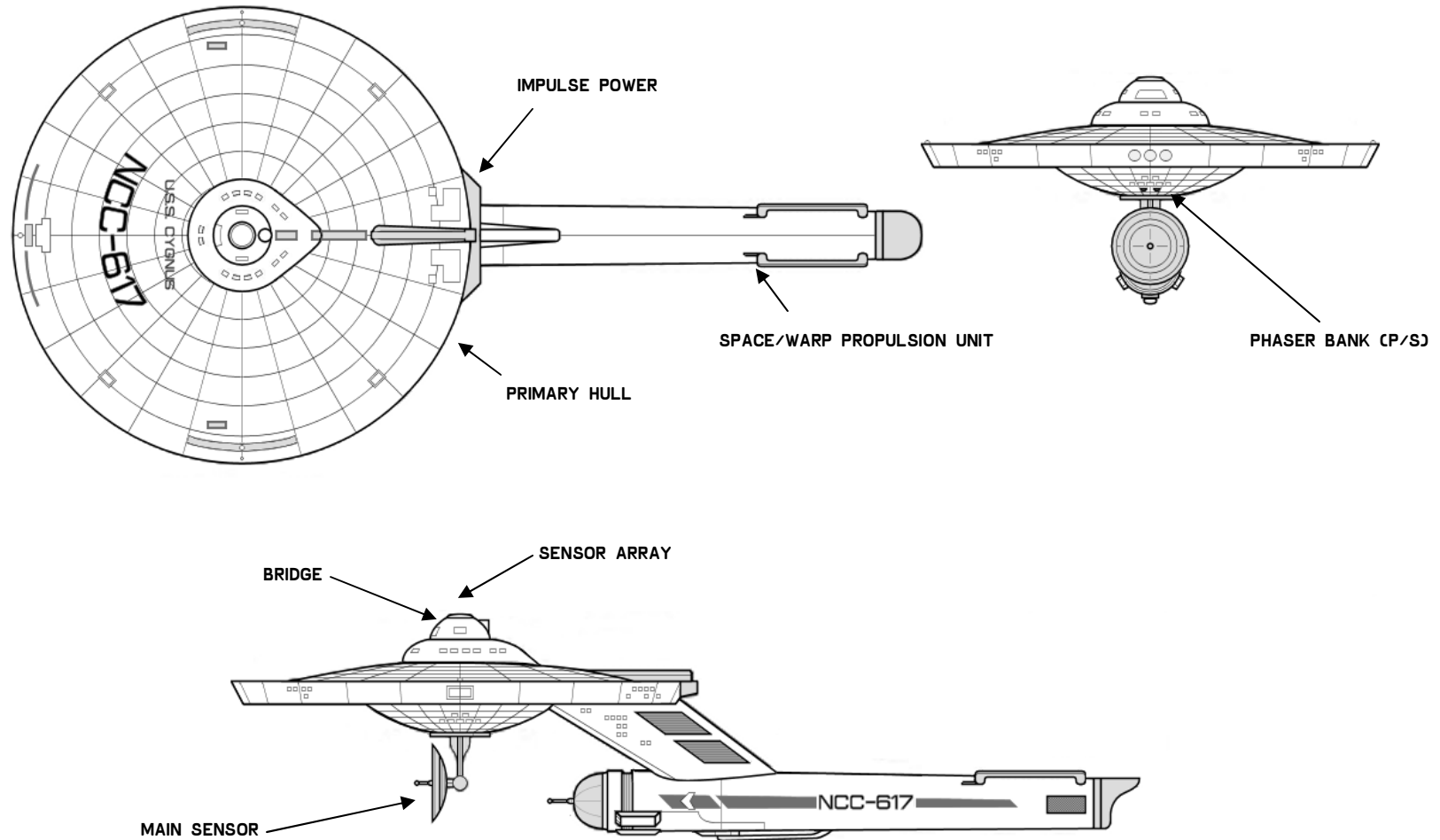
NCC-617	USS CYGNUS*	NCC-622	USS PAVO
NCC-618	USS APUS	NCC-623	USS AQUILA**
NCC-619	USS TUCANA	NCC-624	USS GRUS
NCC-620	USS CORVUS	NCC-625	USS PHOENIX**
NCC-621	USS COLUMBIA		

*CLASS SHIP / ** LOST IN THE LINE OF DUTY

STARFLEET TECHNICAL ORDER

AUTHENTICATED STARDATE 7411.27

RS: 480374-1
TO VOI:21



SEE BOOKLET OF GENERAL PLANS FOR DETAILS

FEDERATION HEAVY CRUISER

CONSTITUTION CLASS STARSHIPS

PARTICULARS:

DEADWEIGHT TONNAGE	162,450T
STD. RANGE	9 YEARS AT L.Y.V.
MAX. SAFE CRUISING SPEED	W/F 6
EMERGENCY SPEED	W/F 8
MAIN PHASERS	4 BANKS / 2 EACH
PHOTON TORPEDOES	2 BANKS
LENGTH (OVERALL)	290M
BREADTH (OVERALL)	127M
HEIGHT (OVERALL)	73M
PRIMARY HULL DIAMETER	127M
PROPULSION UNIT LENGTH (OVERALL)	154M
PROPULSION UNIT DIAMETER (OVERALL)	17M

STANDARD SHIP'S COMPLEMENT:

OFFICERS (COMMAND)	20
CREW (ENSIGN GRADE)	410

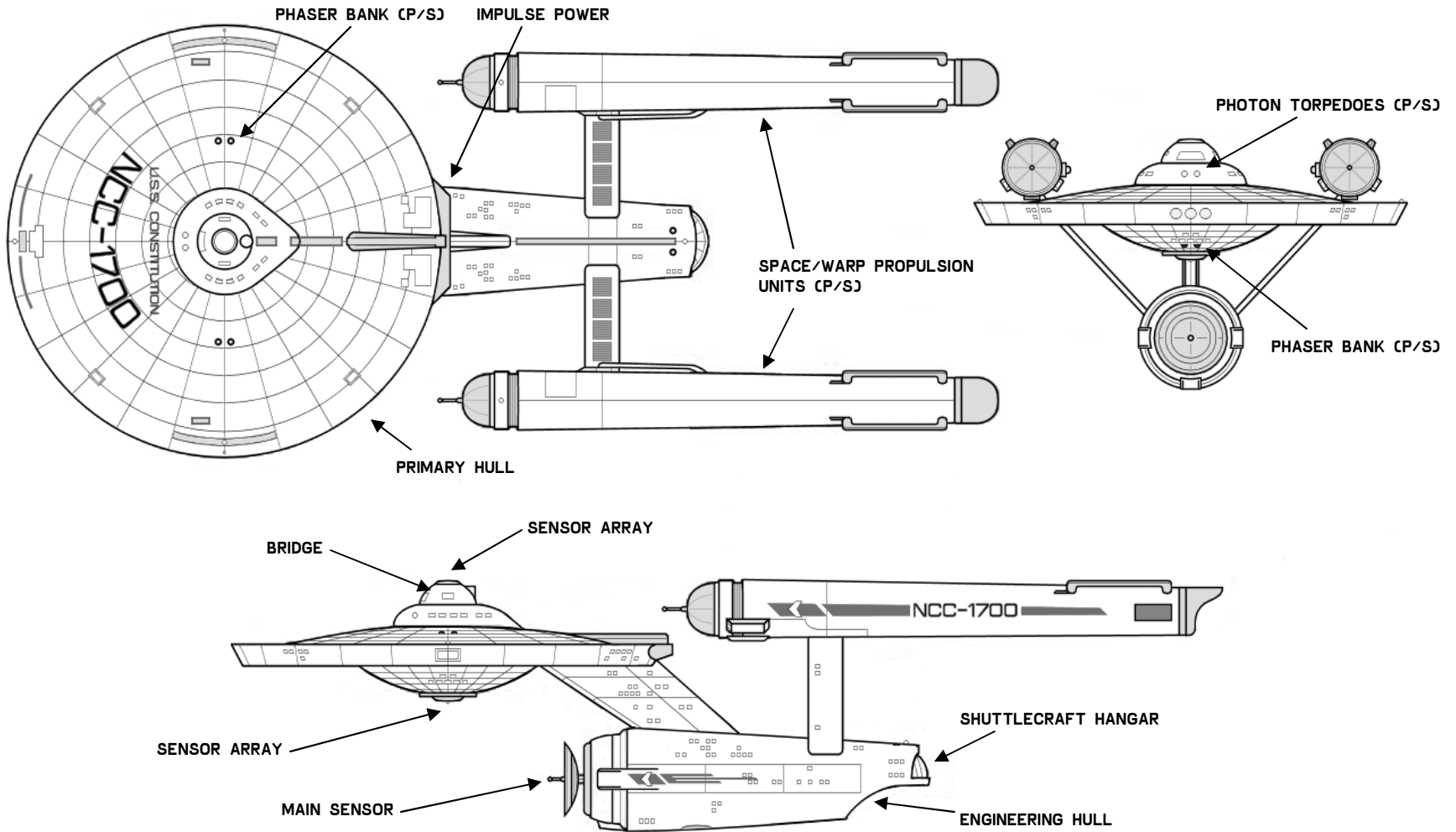
THE FOLLOWING SHIPS OF THE *CONSTITUTION* CLASS WERE AUTHORIZED BY STAR FLEET APPROPRIATION OF STARDATE 1/8801:

NCC-1017	USS CONSTELLATION**	NCC-1701	USS ENTERPRISE
NCC-1313	USS REPUBLIC	NCC-1702	USS POTEKIN
NCC-1631	USS INTREPID**	NCC-1703	USS HOOD
NCC-1647	USS FARRAGUT	NCC-1709	USS LEXINGTON
NCC-1664	USS EXCALIBUR**	NCC-1717	USS YORKTOWN
NCC-1672	USS EXETER		
NCC-1700	USS CONSTITUTION		

THE FOLLOWING SHIPS OF THE *CONSTITUTION* (MK II) CLASS WERE AUTHORIZED BY STAR FLEET APPROPRIATION OF STARDATE 2/0206:

NCC-1704	USS BISMARCK	NCC-1749	USS LANGLEY
NCC-1705	USS YAMATO	NCC-1750	USS RICHELIEU
NCC-1710	USS KONGO	NCC-1751	USS FORRESTAL
NCC-1715	USS CHALLENGER	NCC-1754	USS KITTY HAWK
NCC-1718	USS VALIANT	NCC-1759	USS CHIKUMA
NCC-1719	USS ESSEX	NCC-1760	USS VICTORY
NCC-1720	USS SARATOGA	NCC-1764	USS DEFIANT
NCC-1724	USS EL DORADO	NCC-1765	USS RIVOLI
NCC-1725	USS KENT	NCC-1776	USS BONHOMME RICHARD
NCC-1727	USS LITTORIO	NCC-1777	USS ENDEAVOR
NCC-1736	USS TICONDEROGA	NCC-1778	USS HORNET
NCC-1738	USS EAGLE	NCC-1779	USS AKAGI
NCC-1742	USS SANTISSIMA TRINIDAD	NCC-1780	USS KAGA
NCC-1744	USS MARSEILLE	NCC-1791	USS ARK ROYAL

*CLASS SHIP / ** LOST IN THE LINE OF DUTY



SEE BOOKLET OF GENERAL PLANS FOR DETAILS

FEDERATION CRUISER

ANTON CLASS STARSHIPS

PARTICULARS:

DEADWEIGHT TONNAGE	147,800MT
STD. RANGE	9 YEARS AT L.Y.V.
MAX. SAFE CRUISING SPEED	W/F 6
EMERGENCY SPEED	W/F 8
MAIN PHASERS	3 BANKS / 2 EACH
PHOTON TORPEDOES	2 BANKS
LENGTH (OVERALL)	224M
BREADTH (OVERALL)	145M
HEIGHT (OVERALL)	41M
PRIMARY HULL DIAMETER	1271M
PROPULSION UNIT LENGTH (OVERALL)	154M
PROPULATION UNIT DIAMETER (OVERALL)	17M

STANDARD SHIP'S COMPLEMENT:

OFFICERS (COMMAND)	20
CREW (CENSIGN GRADE)	270

THE FOLLOWING SHIPS OF THE *ANTON* CLASS WERE AUTHORIZED BY STAR FLEET APPROPRIATION OF STARDATE 1/6704:

NCC-1825	USS ANTON*	NCC-1860	USS AVENGER
NCC-1826	USS DENEb	NCC-1861	USS ENDURANCE
NCC-1827	USS ADHARA	NCC-1862	USS COURAGEOUS
NCC-1828	USS ALIOTH	NCC-1863	USS REPULSE
NCC-1829	USS ALKAID	NCC-1864	USS RELIANT
NCC-1830	USS ALNILAM	NCC-1865	USS ATLANTIS
NCC-1831	USS ARIDED	NCC-1866	USS CONDOR
NCC-1832	USS BELLATRIX	NCC-1867	USS RESISTANCE
NCC-1833	USS MIRANDA	NCC-1868	USS DEMETER
NCC-1834	USS MINOTAUR	NCC-1869	USS GALLANT
NCC-1835	USS RUTHERFORD	NCC-1870	USS RENOWN
NCC-1836	USS MIAPLACIDAS	NCC-1871	USS INVINCIBLE
NCC-1837	USS LANTREE	NCC-1872	USS DARING
NCC-1838	USS MURZIM	NCC-1873	USS DEVASTATOR
NCC-1839	USS POLARIS	NCC-1874	USS SARPEDION
NCC-1840	USS REGULUS	NCC-1875	USS ODIN
NCC-1841	USS SHAULA	NCC-1876	USS NAR-TAK SHIR
NCC-1842	USS ALEXANDRIA	NCC-1877	USS RESOLUTION
NCC-1843	USS LEVANT	NCC-1878	USS POLONIUS
NCC-1844	USS DEFENCE	NCC-1879	USS YONADA
NCC-1845	USS RARITAN	NCC-1880	USS TIKRIT
NCC-1846	USS TEMERAIRE	NCC-1881	USS ALACRITY
NCC-1847	USS ALLIANCE	NCC-1882	USS BELLEAU WOOD
NCC-1848	USS HECTOR	NCC-1883	USS KYOTO
NCC-1849	USS AMERICA	NCC-1884	USS SCARBOROUGH
NCC-1850	USS SURYA	NCC-1885	USS NIAGRA
NCC-1851	USS DALLAS	NCC-1886	USS FAVORITE
NCC-1852	USS TEMPEST	NCC-1887	USS MONTEREY
NCC-1853	USS NORTHUMBERLAND	NCC-1888	USS ARGUS
NCC-1854	USS ROYAL OAK	NCC-1889	USS HONOLULU
NCC-1855	USS ROYAL ALDFRED	NCC-1890	USS ADAMSON
NCC-1856	USS MARIETTA	NCC-1891	USS REPOSE
NCC-1857	USS NARVA	NCC-1892	USS RHYANNA
NCC-1858	USS EMDEN		
NCC-1859	USS GUILLEMONT		

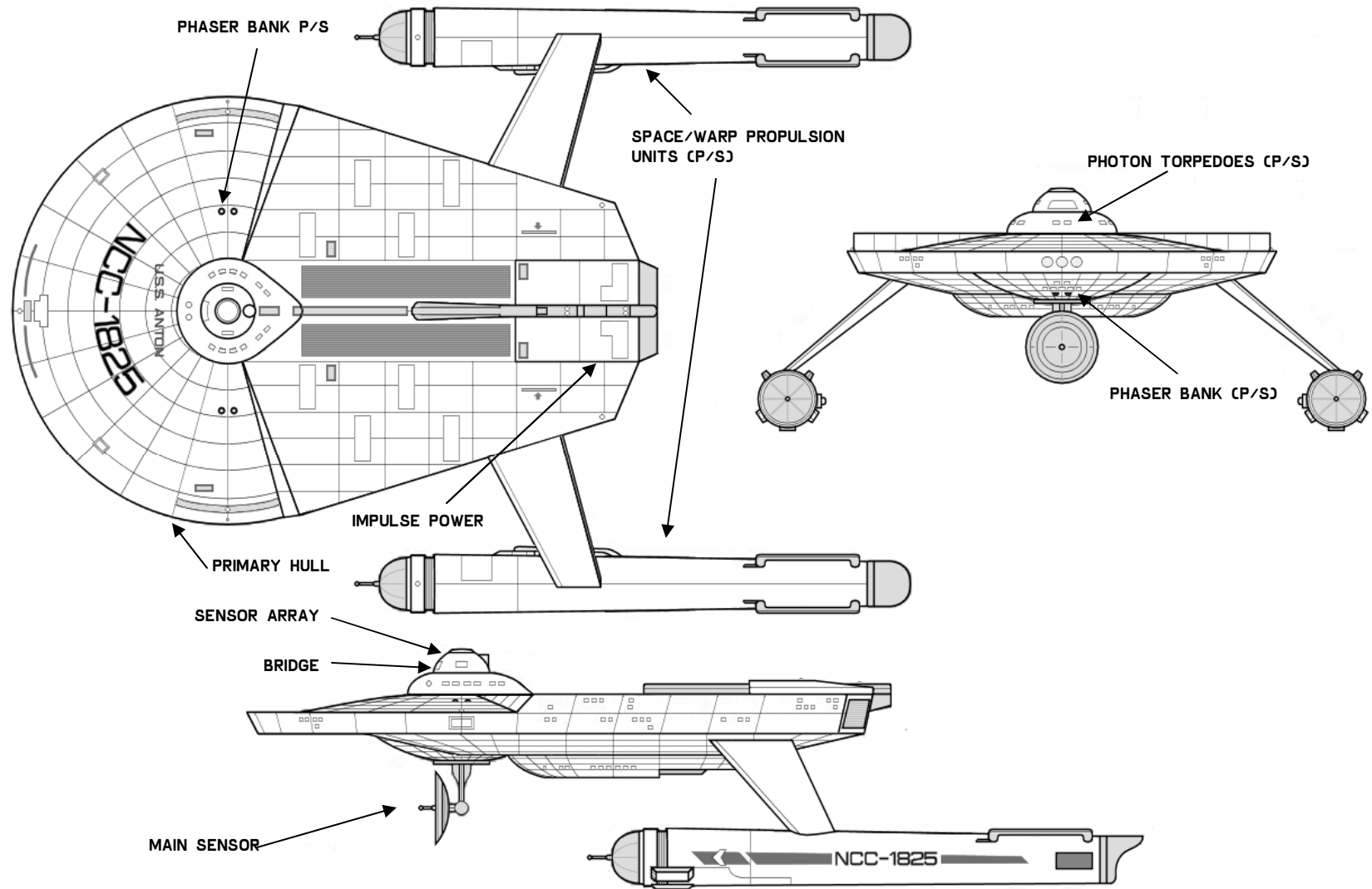
*CLASS SHIP

STARFLEET TECHNICAL ORDER

AUTHENTICATED STARDATE 7411.27

RS: 480374-1

TO VOI:25



SEE BOOKLET OF GENERAL PLANS FOR DETAILS

FEDERATION TRANSPORT / TUG

PTOLEMY CLASS STARSHIPS

PARTICULARS:

DEADWEIGHT TONNAGE	125,500MT
STD. RANGE	9 YEARS AT L.Y.V.
MAX. SAFE CRUISING SPEED	W/F 6
EMERGENCY SPEED	W/F 8
MAIN PHASERS	2 BANKS / 2 EACH
PHOTON TORPEDOES	NONE
LENGTH (OVERALL)	222M
BREADTH (OVERALL)	127.1M
HEIGHT (OVERALL)	66M
PRIMARY HULL DIAMETER	127M
PROPULSION UNIT LENGTH (OVERALL)	154M
PROPULSION UNIT DIAMETER (OVERALL)	17M

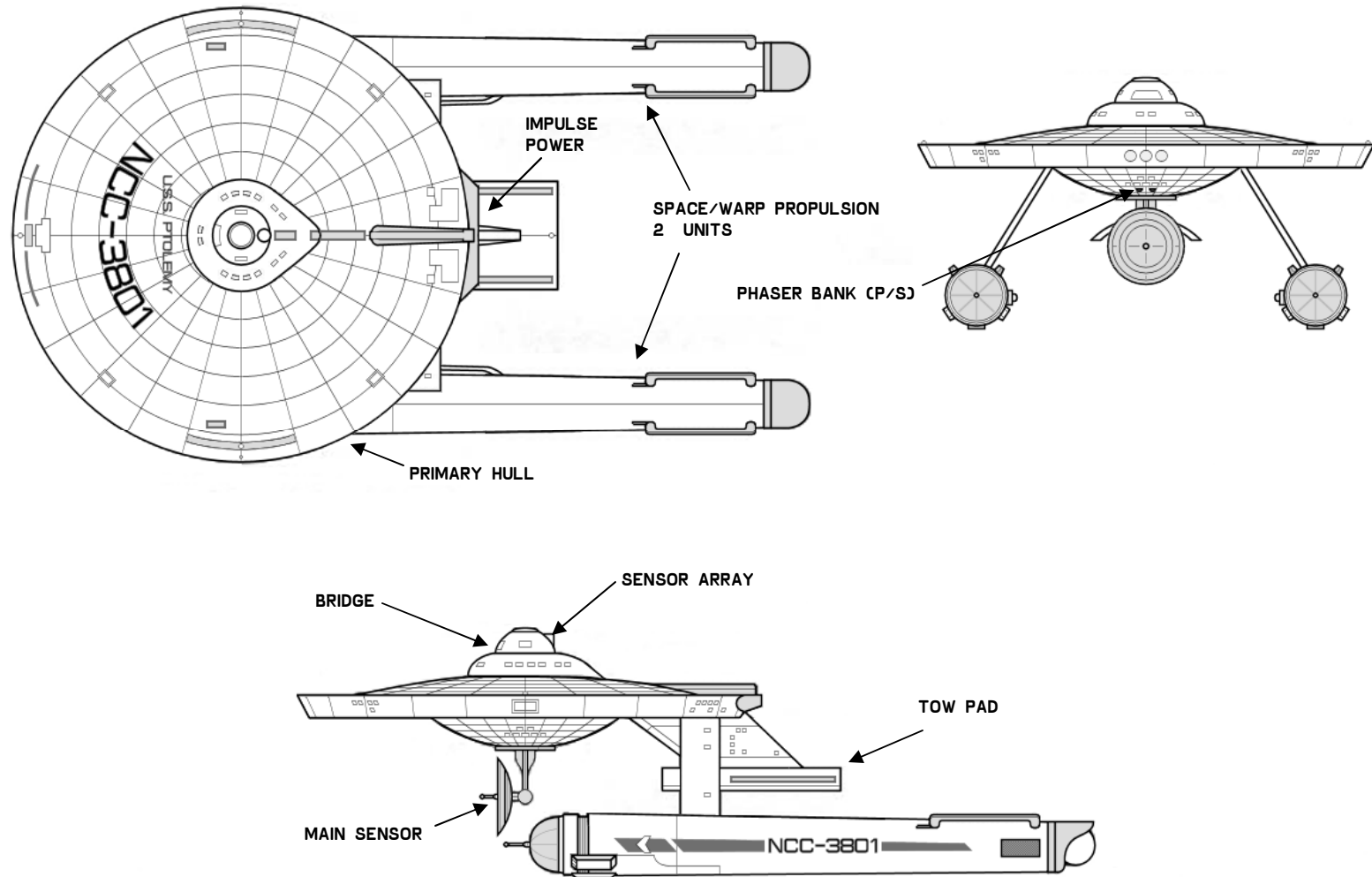
STANDARD SHIP'S COMPLEMENT:

OFFICERS (COMMAND)	22
CREW (ENSIGN GRADE)	198

THE FOLLOWING SHIPS OF THE *PTOLEMY* CLASS WERE AUTHORIZED BY STAR FLEET APPROPRIATION OF STARDATE 1/8510:

NCC-3801	USS PTOLEMY*	NCC-3809	USS AFFLIATION
NCC-3802	USS AL RASHID	NCC-3810	USS ULUGH BEG
NCC-3803	USS ANAXAGORAS	NCC-3811	USS PHILOLAUS
NCC-3804	USS ANAXIMANDER	NCC-3812	USS PYTHAGORAS
NCC-3805	USS ARISTARCHUS	NCC-3813	USS THALES
NCC-3806	USS IBN DAUD	NCC-3814	USS HEVELIUS
NCC-3807	USS ERATOSTHENES	NCC-3815	USS COPERNICUS
NCC-3808	USS GALILEI		

*CLASS SHIP



SEE BOOKLET OF GENERAL PLANS FOR DETAILS

FEDERATION TRANSPORT / TUG

KEPPLER CLASS STARSHIPS

PARTICULARS:

DEADWEIGHT TONNAGE	124,500MT
STD. RANGE	9 YEARS AT L.Y.V.
MAX. SAFE CRUISING SPEED	W/F 6
EMERGENCY SPEED	W/F 8
MAIN PHASERS	1 BANKS / 2 EACH
PHOTON TORPEDOES	NONE
LENGTH (OVERALL)	241M
BREADTH (OVERALL)	127M
HEIGHT (OVERALL)	58M
PRIMARY HULL DIAMETER	127M
PROPULSION UNIT LENGTH (OVERALL)	154M
PROPULSION UNIT DIAMETER (OVERALL)	17M

STANDARD SHIP'S COMPLEMENT:

OFFICERS (COMMAND)	22
CREW (ENSIGN GRADE)	198

THE FOLLOWING SHIPS OF THE *KEPPLER* CLASS WERE AUTHORIZED BY STAR FLEET
APPROPRIATION OF STARDATE 1/8812:

NCC-3816	USS KEPPLER*	NCC-3824	USS CASSINI
NCC-3817	USS AMBARTSUMIAN	NCC-3825	USS DONATI
NCC-3818	USS FLAMARION	NCC-3826	USS KIDINNU
NCC-3819	USS SCHIAPARELLI	NCC-3827	USS PIAZZI
NCC-3820	USS DESLANDRES	NCC-3828	USS LEVERRIER
NCC-3821	USS BRAHE	NCC-3829	USS LUYTEN
NCC-3822	USS NEWTON	NCC-3830	USS MESSIER
NCC-3823	USS RICCIOLI		

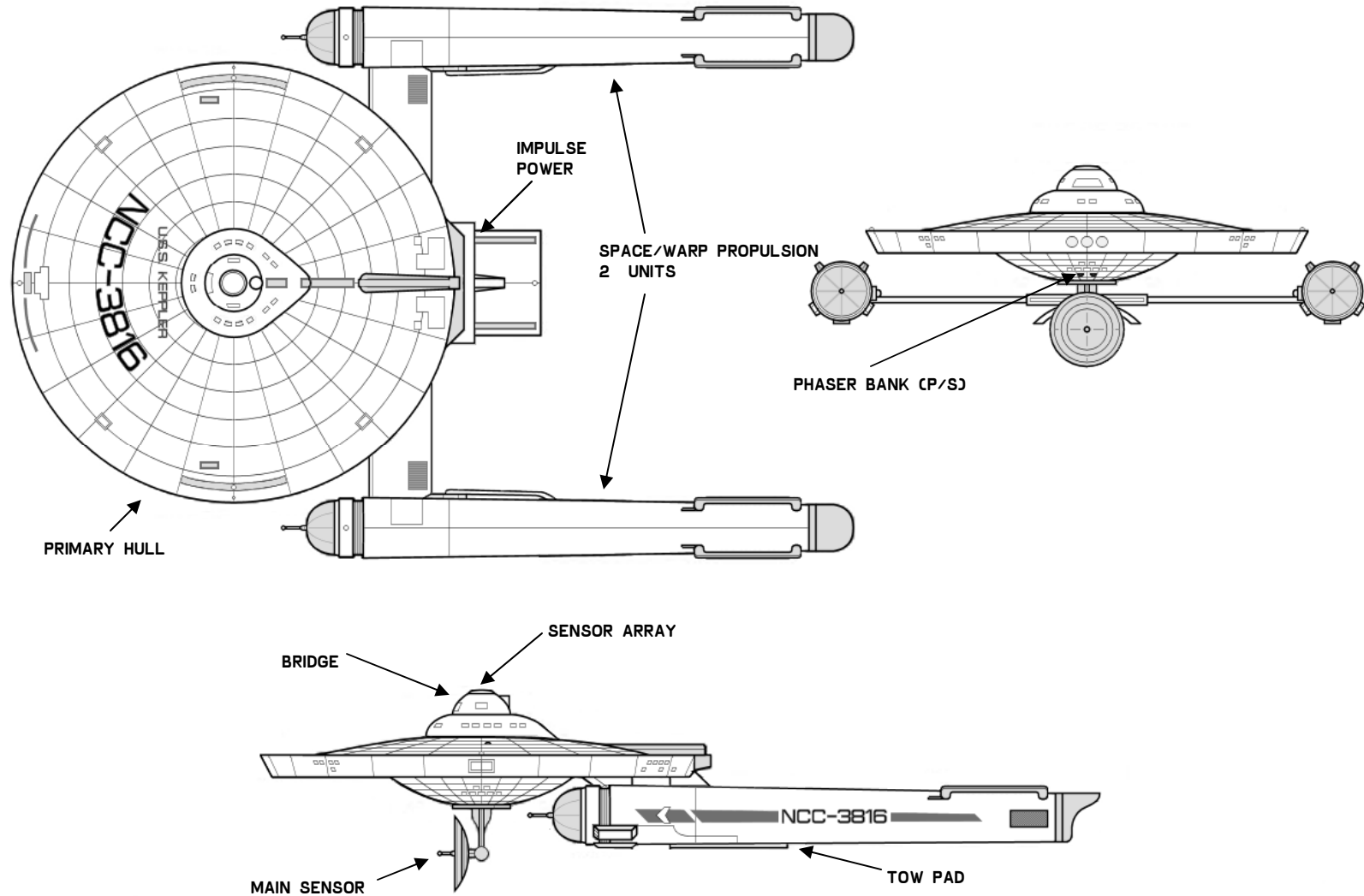
*CLASS SHIP

STARFLEET TECHNICAL ORDER

AUTHENTICATED STARDATE 7411.27

RS: 480374-I

TO VOI:29



SEE BOOKLET OF GENERAL PLANS FOR DETAILS

FEDERATION DESTROYER

LARSON CLASS STARSHIPS

PARTICULARS:

DEADWEIGHT TONNAGE	82,400MT
STD. RANGE	9 YEARS AT L.Y.V.
MAX. SAFE CRUISING SPEED	W/F 7
EMERGENCY SPEED	W/F 9
MAIN PHASERS	3 BANKS / 2 EACH
PHOTON TORPEDOES	2 BANKS
LENGTH (OVERALL)	269M
BREADTH (OVERALL)	134M
HEIGHT (OVERALL)	62M
PRIMARY HULL DIAMETER	127M
PROPULSION UNIT LENGTH (OVERALL)	154M
PROPULATION UNIT DIAMETER (OVERALL)	17M

STANDARD SHIP'S COMPLEMENT:

OFFICERS (COMMAND)	20
CREW (ENSIGN GRADE)	175

THE FOLLOWING SHIPS OF THE LARSON CLASS WERE AUTHORIZED BY STAR FLEET
APPROPRIATION OF STARDATE 1/8801:

NCC-4300	USS LARSON*	NCC-4315	USS BLENHEIM
NCC-4301	USS MIDWAY	NCC-4316	USS TORGAU
NCC-4302	USS CORAL SEA	NCC-4317	USS EYLAU
NCC-4303	USS TANNENBERG	NCC-4319	USS LEYTE
NCC-4304	USS TRAFALGAR	NCC-4320	USS LEIPZIG
NCC-4305	USS THELENTH	NCC-4322	USS BUENA VISTA
NCC-4306	USS WATERLOO	NCC-4323	USS GARBO
NCC-4307	USS BORODINO	NCC-4324	USS GETTYSBURG
NCC-4308	USS AUSTERLITZ	NCC-4325	USS CASTINIAN
NCC-4309	USS NORMANDY	NCC-4326	USS SHILOH
NCC-4310	USS MARATHON	NCC-4327	USS GALLIPOLI
NCC-4311	USS PHARSALUS	NCC-4328	USS JUTLAND
NCC-4312	USS CRECY	NCC-4329	USS ANZIO
NCC-4313	USS POITERS	NCC-4331	USS CORREGIDOR
NCC-4314	USS AGINCOURT	NCC-4332	USS GUADALCANAL

THE FOLLOWING SHIPS OF THE LARSON CLASS WERE AUTHORIZED BY STAR FLEET
APPROPRIATION OF STARDATE 1/8801: [CONTINUED]

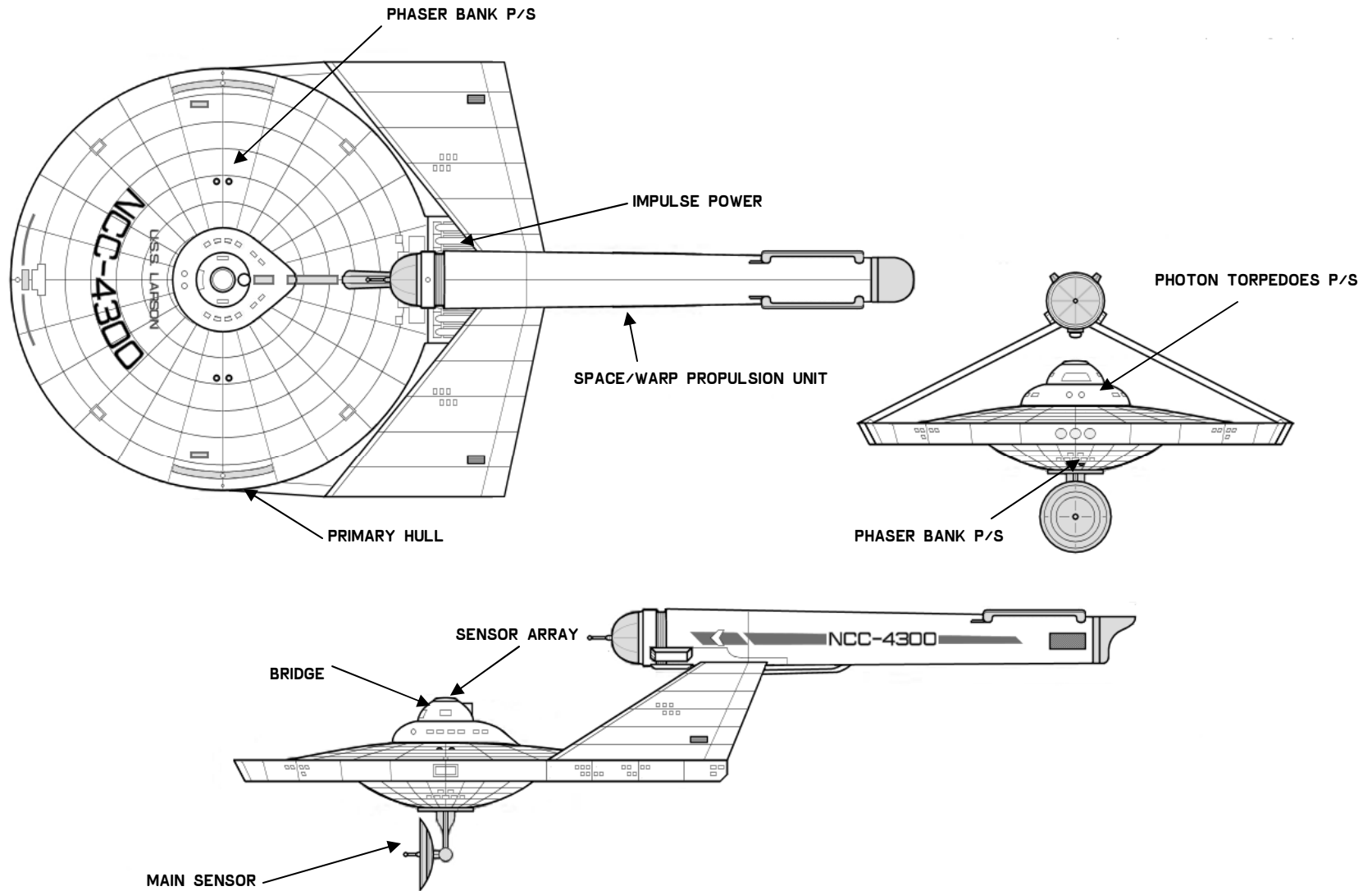
NCC-4333	USS IWO JIMA	NCC-4376	USS LIEGNITZ
NCC-4334	USS OKINAWA	NCC-4377	USS CROMWELL
NCC-4335	USS RAMSES	NCC-4378	USS JOAN OF ARC
NCC-4336	USS THEBES	NCC-4379	USS SANMIGUOL
NCC-4337	USS HAMMURABI	NCC-4380	USS BABUR
NCC-4338	USS TROY	NCC-4381	USS HIDEYOSHI
NCC-4339	USS CHOU	NCC-4382	USS BAYINNAUNG
NCC-4340	USS XERXES	NCC-4383	USS CORTEZ
NCC-4341	USS SALAMIS	NCC-4384	USS TENOCHTITLAN
NCC-4342	USS XENOPHON	NCC-4385	USS ADOLPHUS
NCC-4343	USS JULUS CEASAR	NCC-4386	USS DE TOURVILLE
NCC-4344	USS NAPOLEON	NCC-4387	USS BREITENFELD
NCC-4345	USS COCHISE	NCC-4388	USS BRADLEY
NCC-4346	USS LUTZEN	NCC-4389	USS BLAKE
NCC-4347	USS SUN TZU	NCC-4391	USS NHAT-LE
NCC-4348	USS DEMETRIUS	NCC-4392	USS MARLBOROUGH
NCC-4350	USS HANNIBAL	NCC-4393	USS AL BEY
NCC-4351	USS THERMOPYLAE	NCC-4394	USS WASHINGTON
NCC-4352	USS SCIPIO	NCC-4395	USS WELLINGTON
NCC-4353	USS CANNAE	NCC-4397	USS LAFAYETTE
NCC-4354	USS ALESIA	NCC-4398	USS MURAT
NCC-4355	USS MARC ANTONY	NCC-4399	USS NEY
NCC-4356	USS LIU PANG	NCC-4400	USS VON BLUCHER
NCC-4357	USS CONSTANTINE	NCC-4401	USS KHARTUM
NCC-4358	USS ALARIC	NCC-4402	USS TECUMSEH
NCC-4360	USS ORLEANS	NCC-4403	USS PERRY
NCC-4361	USS PENDRAGON	NCC-4404	USS HASTINGS
NCC-4362	USS JUSTINIAN	NCC-4405	USS JACKSON
NCC-4363	USS TIBERIUS	NCC-4407	USS SAN JACINTO
NCC-4364	USS CHARLEMANGE	NCC-4408	USS PALO ALTO
NCC-4366	USS JAUHUR	NCC-4409	USS SCOTT
NCC-4367	USS ALEXANDER	NCC-4410	USS ROMMEL
NCC-4368	USS SALADIN	NCC-4411	USS BOLIVAR
NCC-4369	USS HARDRAADE	NCC-4412	USS SAN MARTIN
NCC-4371	USS FREDERICK	NCC-4413	USS BOYACA
NCC-4372	USS ACRE	NCC-4414	USS DEWEY
NCC-4373	USS RAJENDRA	NCC-4415	USS LEE
NCC-4374	USS BAHU	NCC-4416	USS GRANT
NCC-4375	USS GENGHIS KHAN	NCC-4417	USS MOLTKE

*CLASS SHIP

STARFLEET TECHNICAL ORDER

AUTHENTICATED STARDATE 7411.27

RS: 480374-I
TO VOI:31



SEE BOOKLET OF GENERAL PLANS FOR DETAILS

FEDERATION FREIGHTER

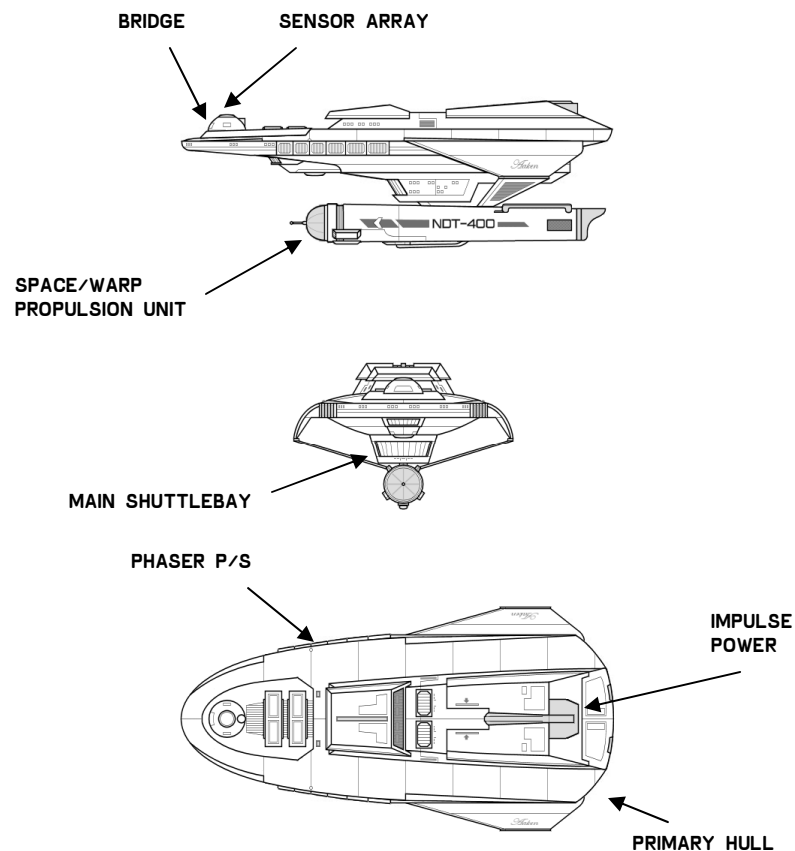
AAKEN CLASS STARSHIPS

PARTICULARS:

DEADWEIGHT TONNAGE	70,640MT
STD. RANGE	9 YEARS AT L.Y.V.
MAX. SAFE CRUISING SPEED	W/F 6
EMERGENCY SPEED	W/F 8
MAIN PHASERS	2 BANKS / 1 EACH
PHOTON TORPEDOES	NONE
LENGTH (OVERALL)	190M
BREADTH (OVERALL)	100M
HEIGHT (OVERALL)	60M
PROPULSION UNIT LENGTH (OVERALL)	154M
PROPULSION UNIT DIAMETER (OVERALL)	17M

STANDARD SHIP'S COMPLEMENT:

OFFICERS (COMMAND)	6
CREW (ENSIGN GRADE)	30



SEE BOOKLET OF GENERAL PLANS FOR DETAILS

FEDERATION TRANSPORT

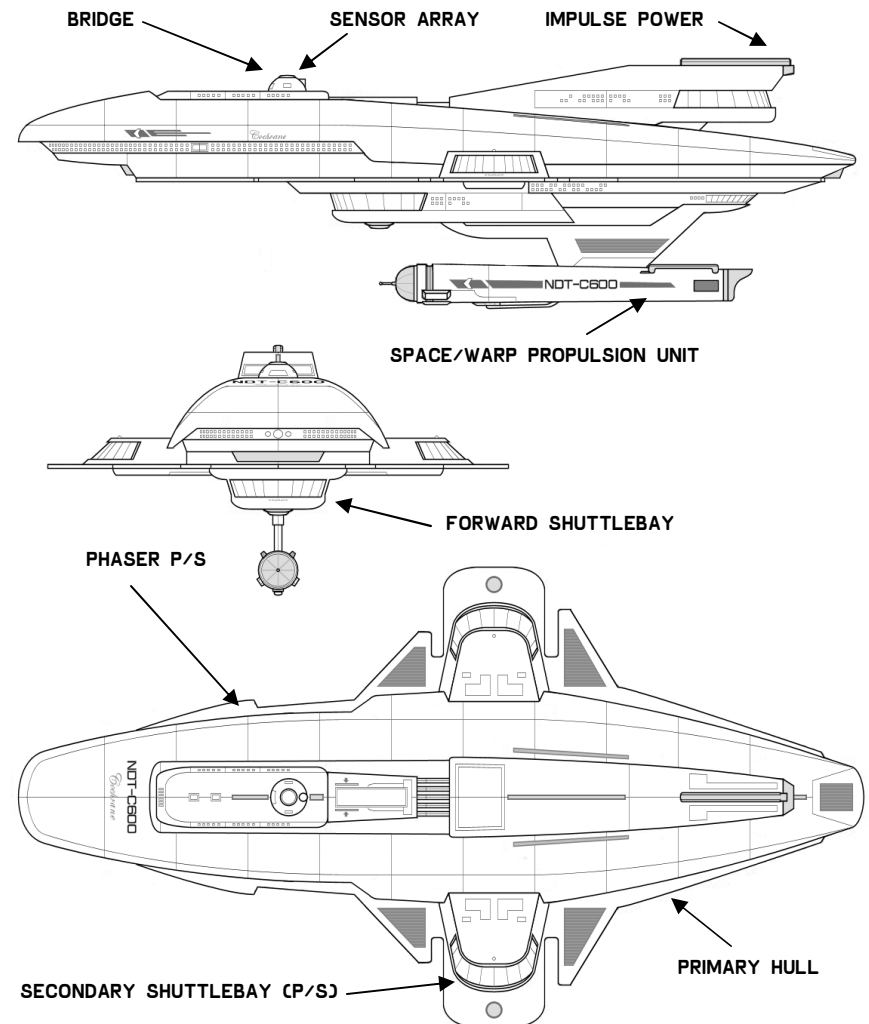
COCHRANE CLASS STARSHIPS

PARTICULARS:

DEADWEIGHT TONNAGE	125,500MT
STD. RANGE	9 YEARS AT L.Y.V.
MAX. SAFE CRUISING SPEED	W/F 7
EMERGENCY SPEED	W/F 9
MAIN PHASERS	2 BANKS / 1 EACH
PHOTON TORPEDOES	NONE
LENGTH (OVERALL)	370M
BREADTH (OVERALL)	210M
HEIGHT (OVERALL)	110M
PROPULSION UNIT LENGTH (OVERALL)	154M
PROPULSION UNIT DIAMETER (OVERALL)	17M

STANDARD SHIP'S COMPLEMENT:

OFFICERS (COMMAND)	6
CREW (ENSIGN GRADE)	30



SEE BOOKLET OF GENERAL PLANS FOR DETAILS

FEDERATION FREIGHTER

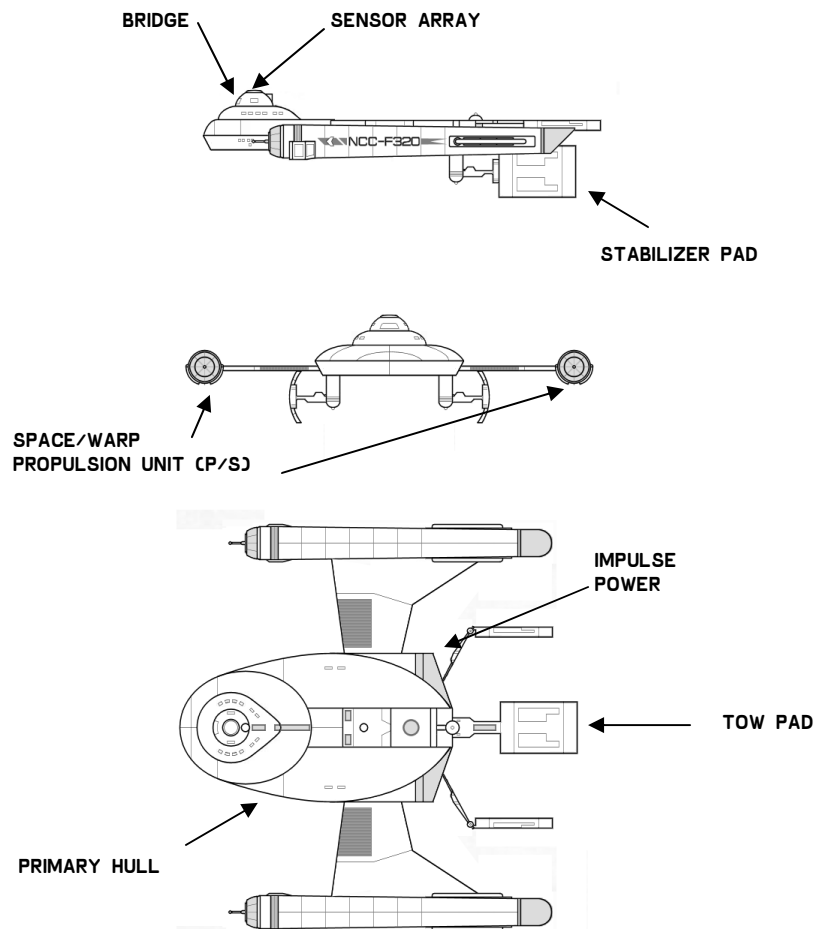
CHARIOT CLASS STARSHIPS

PARTICULARS:

DEADWEIGHT TONNAGE	45.500MT
STD. RANGE	5 YEARS AT L.Y.V.
MAX. SAFE CRUISING SPEED	W/F 5
EMERGENCY SPEED	W/F 7
MAIN PHASERS	NONE
PHOTON TORPEDOES	NONE
LENGTH (OVERALL)	176M
BREADTH (OVERALL)	180M
HEIGHT (OVERALL)	48M
PROPULSION UNIT LENGTH (OVERALL)	143M
PROPULSION UNIT DIAMETER (OVERALL)	15M

STANDARD SHIP'S COMPLEMENT:

OFFICERS (COMMAND)	4
CREW (ENSIGN GRADE)	20



SEE BOOKLET OF GENERAL PLANS FOR DETAILS

FEDERATION MONITOR

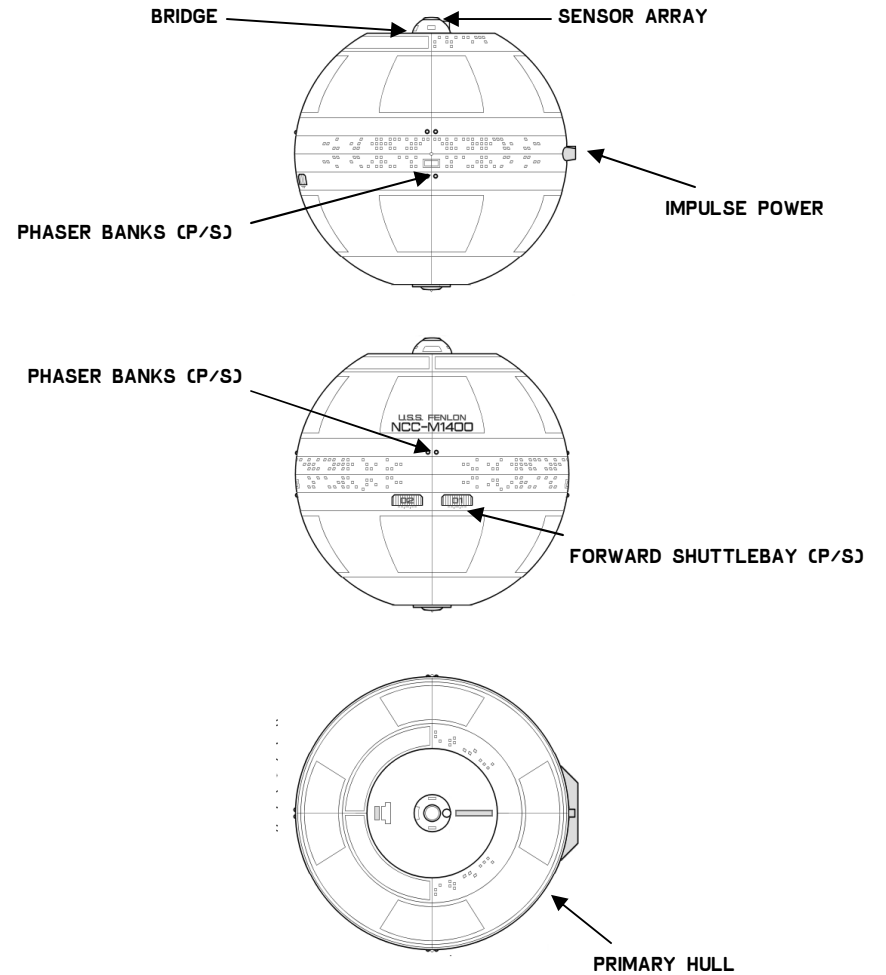
FENLON CLASS STARSHIPS

PARTICULARS:

DEADWEIGHT TONNAGE	40,100MT
STD. RANGE	9 YEARS AT L.Y.V.
MAX. SAFE CRUISING SPEED	.60C
EMERGENCY SPEED	.80C
MAIN PHASERS	5 BANKS / 2 EACH
PHOTON TORPEDOES	NONE
LENGTH (OVERALL)	120M
BREADTH (OVERALL)	120M
HEIGHT (OVERALL)	120M
PROPULSION UNIT LENGTH (OVERALL)	N/A
PROPULATION UNIT DIAMETER (OVERALL)	N/A

STANDARD SHIP'S COMPLEMENT:

OFFICERS (COMMAND)	12
CREW (ENSIGN GRADE)	60



SEE BOOKLET OF GENERAL PLANS FOR DETAILS

